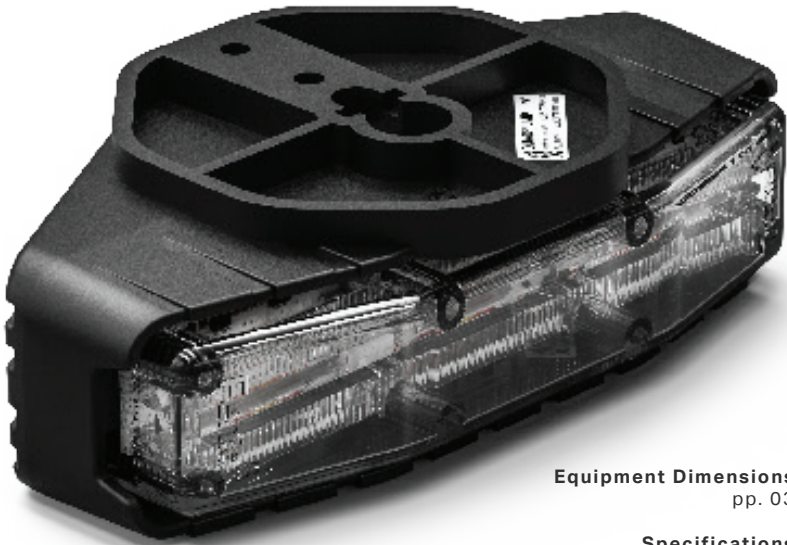


QUAD[®]

ONE 4 ALL

QUAD UNDER MIRROR PUCK QUM-0121



Equipment Dimensions ▲
pp. 03

Specifications ▲
pp.03

Wiring Diagram ▲
pp.04



Fenix Product Copyrights This price List and the mentioned Fenix products include or describe copyrighted Fenix material. Laws in the United States and other countries preserve for Fenix Industries and its licensors certain exclusive rights for copyrighted material, including the exclusive right to copy, reproduce in any form, distribute and make derivative works of the copyrighted material. Accordingly, any copyrighted material of Fenix and its licensors contained herein or in the Fenix products described in this Price List may not be copied, reproduced, distributed, merged or modified, transmitted, transcribed, stored in retrieval system or translated into any language or computer language, in any form or by any means, without prior written permission of Fenix Industries, Inc. Fenix and the stylized Fenix logo are registered in the U.S. Patent & Trademark Office.



SAFETY REGULATIONS & WARRANTY

Safety Regulations

The following provides all the information necessary to safely operate the previously listed products of Feniex Industries, Inc. Please read this manual thoroughly before installing or operating your new product in order to prevent any damage or injury. Failure to follow the listed instructions in this manual may result in damage to your products or personal injury.

- Proper installation of this product requires good knowledge of automotive systems, electronics and procedures.
- Please guarantee all vital components of the vehicle are not in danger of being damaged by drilling holes necessary for installation. Check all sides of the mounting surface before drilling any holes into the vehicle.
- Do not install this product in any way that interferes with the deployment of the air bag. Doing so may damage the effectiveness of the air bag and can lead to serious personal and vehicle injury. The installer will assume full responsibility of proper installation of the new unit.
- Please clean the mounting surface before installation of the unit when using tape, brackets, magnet, Velcro or suction cups.
- The product's ground wire must be connected directly to the Negative (-) battery post for effective use of the unit. Please follow all wiring guidelines provided to guarantee long lifespan and productivity. Failing to follow these instructions may result in damage to the product.

Warranty

Feniex Industries' speakers, sirens, rocker panels, AM600 Beacons, Torch Lights, AI lightbars, AI Cubes, AM900 Work Lights and controllers are warranted for 2 years from the manufacturing date. In addition, all other products are warranted for 5 years from the manufacturing date.

If a warranty problem occurs, please contact customer support at 1.800.615.8350 or visit the web site at www.Feniex.com. If the product needs to be returned for repair or replacement, call our customer support line to receive a return merchandise authorization number.

Operational times are from 10 a.m. to 5 p.m. central time, Monday through Friday. Please do not send in product without contacting support first for a RMA number.

Service After Expiration

Feniex Industries will still provide service for all products after expiration of the warranty. For any issues, call the customer support line. In some instances it may be necessary for the product to be shipped, freight prepaid and insured for loss or damage to Feniex headquarters.

Warning! Utilizing non-factory screws and mounting brackets may result in loss of warranty coverage.

Copyright

This instruction manual and the Feniex products described in this instruction manual may include or describe copyrighted Feniex material. Laws in the United States and other countries preserve for Feniex Industries and its licensors certain exclusive rights for copyrighted material, including the exclusive right to copy, reproduce in any form, distribute and make derivative works of the copyrighted material. Accordingly, any copyrighted material of Feniex and its licensors contained herein or in the Feniex products described in this instruction manual may not be copied, reproduced, distributed, merged or modified in any manner without the express written permission of Feniex Industries, Inc.

Feniex Product Copyrights

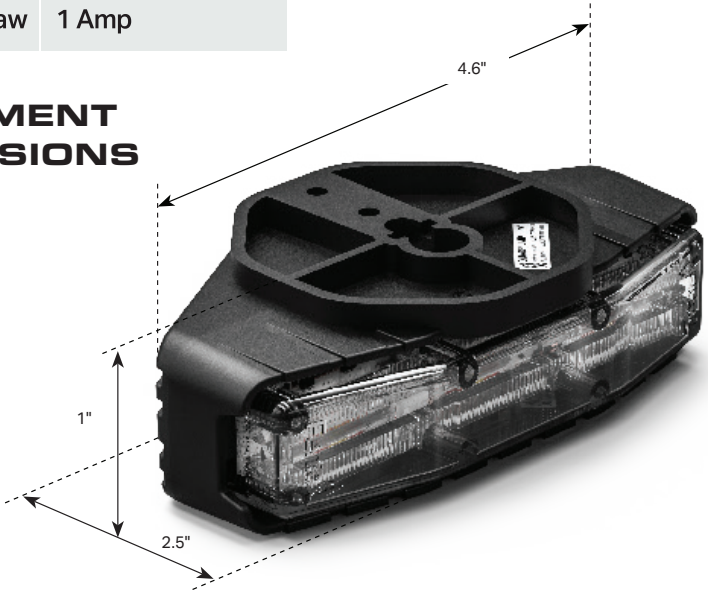
The products described in this document are the property of Feniex Industries, Inc. It is furnished by express license agreement only and may be used only in accordance with the terms of such an agreement. Products and documentation are copyrighted materials. Making unauthorized copies is prohibited by law. No part of the product or documentation may be reproduced, transmitted, transcribed, stored in retrieval system or translated into any language or computer language, in any form or by any means, without prior permission from Feniex Industries, Inc.



▲ SPECIFICATIONS

Dimensions	2.5" x 1" x 4.6"
Warranty	5 years
Voltage	10-18 Volts DC
Current Draw	1 Amp

EQUIPMENT DIMENSIONS



Fenix University

Watch our instructional videos at Fenix University to see an in-depth look at our product's features and functions.



Use the link below:

fenixuniversity.com

▲ WIRING DIAGRAM

Wire:	Function:
Red	12V+, Mode 1
Black	12V-, Ground
Yellow	12V+, Mode 2
White	12V+, Mode 3
Green	12V+, Color Change
Blue	12V-, Sync/Pattern

Syncing Flash Patterns

1. Connect the blue sync wire(s) of the Quad product(s) you would like to sync.
2. Hold the blue sync wire to 12V-ground for 3 seconds. The flash pattern will reset to "single-slow".
3. Momentarily tap the blue wire to 12V- ground to cycle the flash patterns.

Alternating Flash Patterns

1. Connect the blue sync wire(s) of the Quad product(s) you would like to set as leader or follower.
2. Hold the blue sync wire to 12V-ground for 3 seconds. The light(s) will turn a steady blue for leader and red for follower.

Setting Colors

1. Hold the green sync wire to 12V+ positive for 3 seconds. The light(s) will turn steady blue.
2. Momentarily tap the green wire to 12V+ positive to cycle the colors.

▲ PATTERNS

Order: Flash Pattern:

1	Single Slow
2	Single Fast
3	Single Combo
4	Dual Slow
5	Dual Fast
6	Dual Combo
7	Triple Slow
8	Triple Fast
9	Triple Combo
10	Attack 1
11	Attack 2
12	Break Pop
13	Tail 10%
14	Steady On 100%



VEHICLE SPECIFIC MOUNTING KITS

Chevy Tahoe/Suburban/
Yukon 2015-2020
Chevy Silverado 2019+
GMC Sierra 2019+



Dodge Charger 2011+
UM-1019



Ford Explorer 2020



Chevy Caprice 2011+
UM-3019



Ford Taurus 2013+
UM-4019



Ford Explorer 2013-2019
UM-2019



Dodge Durango 2015+
UM-6019



Ford F-150 2015+
UM-3019



Chevy Silverado/Sierra
2014-2018
UM-1019



Dodge Ram 1500 2019+



VEHICLE SPECIFIC BRACKETS

Vehicle:	Mounting Kit:
Chevy Silverado/Sierra 2014-2018	UM-1019 + 5° Wedge
Dodge Charger 2011+	UM-1019
Dodge Ram 1500 2009-2018	UM-1019 + 5° Wedge
Ford Explorer 2013-2019	UM-2019
Ford F-150 2015+	UM-3019 + 5° Wedge
Chevy Caprice 2011+	UM-3019
Ford Taurus 2013+	UM-4019
Chevy Tahoe/Suburban/Yukon 2015+	10° Wedge
Ford Explorer 2020	5° Wedge
Chevy Silverado 2019+	10° Wedge
GMC Sierra 2019+	10° Wedge
Dodge Ram 1500 2019+	0° Wedge + 5° Wedge
Dodge Durango 2015+	UM-6019

DRIVER VS PASSENGER

To determine if the mount or wedge is for the passenger or driver side, check the underside of the mount.

If the letter "D" is visible the mount is for the driver side. If there is no "D", then it is a passenger mount.

Vehicle:	Mounting Kit:
UMD	Driver
UMP	Passenger

Driver



Passenger



Either a "UMP" or "UMD" can also be found underneath the mount, which can be used to determine passenger or driver.