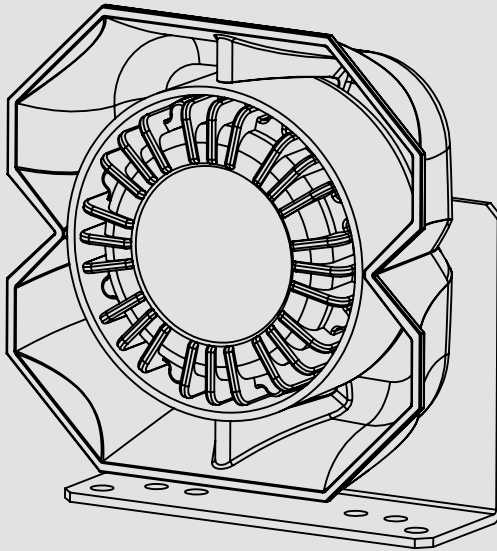


# TRITON SPEAKER

## Instruction Manual

V1.0



# TRITON

Model # - S-2009

This instruction manual serves as a guide for the **Triton Speaker**.

**IMPORTANT!** Please read through all provided instructions and any listed warnings in regards to product use.



**Fenix Product Copyrights** This price List and the mentioned Fenix products include or describe copyrighted Fenix material. Laws in the United States and other countries preserve for Fenix Industries and its licensors certain exclusive rights for copyrighted material, including the exclusive right to copy, reproduce in any form, distribute and make derivative works of the copyrighted material. Accordingly, any copyrighted material of Fenix and its licensors contained herein or in the Fenix products described in this Price List may not be copied, reproduced, distributed, merged or modified, transmitted, transcribed, stored in retrieval system or translated into any language or computer language, in any form or by any means, without prior written permission of Fenix Industries, Inc.. Fenix and the stylized Fenix logo are registered in the U.S. Patent & Trademark Office.

<b>Safety Regulations</b> .....	3
<b>Warranty</b> .....	3
Service after Expiration.....	3
<b>Copyright</b> .....	3
Feniex Product Copyright.....	3
<b>Equipment Dimensions &amp; Specifications</b> .....	4
<b>Wiring Diagram</b>	
Triton Speaker.....	5
<b>Mounting Instructions</b> .....	6

## Safety Regulations

The following provides all the information necessary to safely operate the previously listed products of Fenieux Industries, Inc. Please read this manual thoroughly before installing or operating your new product in order to prevent any damage or injury. Failure to follow the listed instructions in this manual may result in damage to your products or personal injury.

- Proper installation of this product requires good knowledge of automotive systems, electronics and procedures.
- Please guarantee all vital components of the vehicle are not in danger of being damaged by drilling holes necessary for installation. Check all sides of the mounting surface before drilling any holes into the vehicle.
- Do not install this product in any way that interferes with the deployment of the air bag. Doing so may damage the effectiveness of the air bag and can lead to serious personal and vehicle injury. The installer will assume full responsibility of proper installation of the new unit.
- Please clean the mounting surface before installation of the unit when using tape, brackets, magnet, Velcro or suction cups.
- The product's ground wire must be connected directly to the Negative (-) battery post for effective use of the unit. Please follow all wiring guidelines provided to guarantee long lifespan and productivity. Failing to follow these instructions may result in damage to the product.

## Warranty

Fenieux Industries, Inc. warrants to the original purchaser that the product shall be free from defects in material and workmanship for 5 years from the date of purchase for all LED products. Fenieux Industries warranties speakers, sirens, flashers, and controllers for 2 years.

If a warranty problem occurs, please contact customer support at 1.800.615.8350 or visit the web site at [www.Fenieux.com](http://www.Fenieux.com). If the product needs to be returned for repair or replacement, call our customer support line to receive a return merchandise authorization number.

Operational times are from 10 a.m. to 5 p.m. central time, Monday through Friday. Please do not send in product without contacting support first for a RMA number.

## Service After Expiration

Fenieux Industries will still provide service for all products after expiration of the warranty. For any issues, call the customer support line. In some instances it may be necessary for the product to be shipped, freight prepaid and insured for loss or damage to Fenieux headquarters.

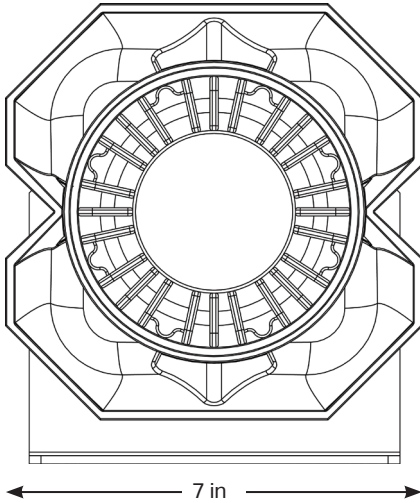
**Warning!** Utilizing non-factory screws and mounting brackets may result in loss of warranty coverage.

## Copyright

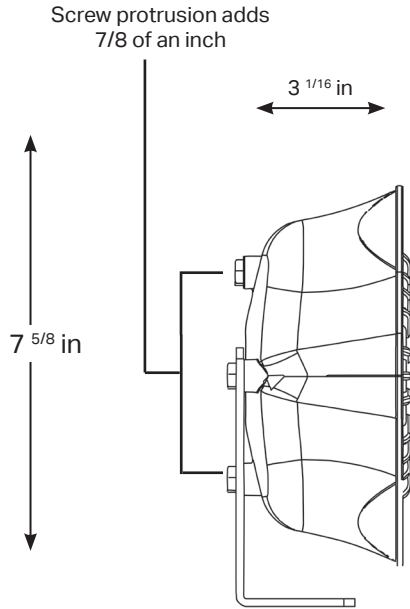
This instruction manual and the Fenieux products described in this instruction manual may include or describe copyrighted Fenieux material. Laws in the United States and other countries preserve for Fenieux Industries and its licensors certain exclusive rights for copyrighted material, including the exclusive right to copy, reproduce in any form, distribute and make derivative works of the copyrighted material. Accordingly, any copyrighted material of Fenieux and its licensors contained herein or in the Fenieux products described in this instruction manual may not be copied, reproduced, distributed, merged or modified in any manner without the express written permission of Fenieux Industries, Inc.

## Fenieux Product Copyrights

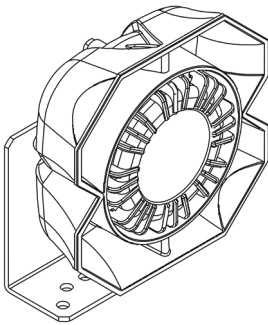
The products described in this document are the property of Fenieux Industries, Inc. It is furnished by express license agreement only and may be used only in accordance with the terms of such an agreement. Products and documentation are copyrighted materials. Making unauthorized copies is prohibited by law. No part of the product or documentation may be reproduced, transmitted, transcribed, stored in retrieval system or translated into any language or computer language, in any form or by any means, without prior permission from Fenieux Industries, Inc.



**Front View**



**Side View**



### Triton System Specification

Neodymium Magnet

Impedance of 11 Ohms

85 degree sound dispersion

Dimensions: 7"LX7"WX3"H

Power Rating: 100 Watts

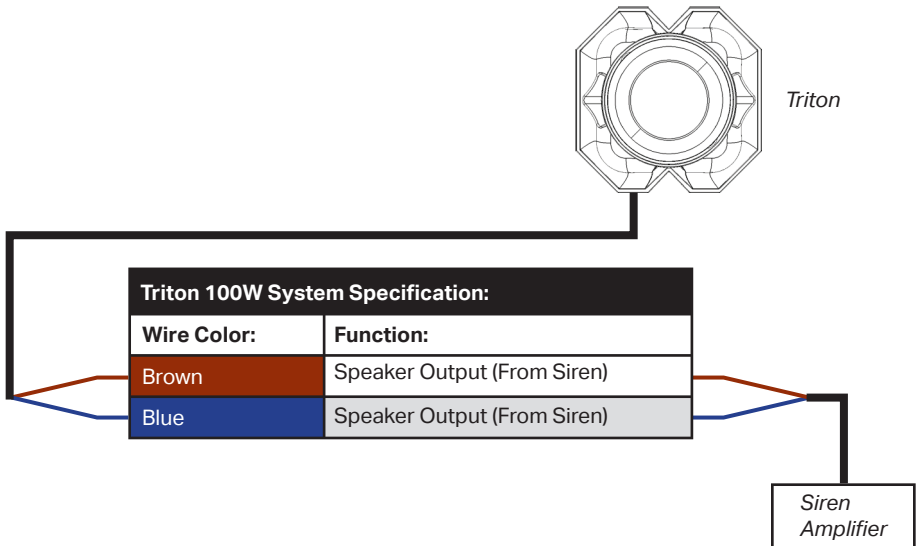
**Please Note!** The Triton does not have a positive or negative speaker output wire.

Step 1: The Triton speakers do not include a siren unit. To activate the speaker, follow OEM instructions for installing the siren unit.

Step 2: To power a unit, extend both wires to the output terminal of the siren system. Follow siren OEM instructions to properly connect the speaker unit to the siren system. The Triton speaker does not have a positive or ground wire.

**Please Note!** The Triton doesn't have a positive or negative speaker output wire.

Figure 1.0



See the illustrations below for mounting information.

Step 1: Clean the selected mounting surface area.

Step 2: Using a 10 mm wrench, remove the three bolts connecting the speaker to the provided L-Shaped bracket. This will detach the speaker from the bracket (see figure 3.0 & 3.1).

Step 3: Place the L-Shaped bracket against the selected mounting surface and mark the spot for at least two mounting holes (see figure 3.2).

Step 4: Drill a minimum of two, 0.25" holes in the mounting surface, making sure not to damage any vital components of the mounting surface.

L-Shaped Bracket:  
Top View

Figure 3.2

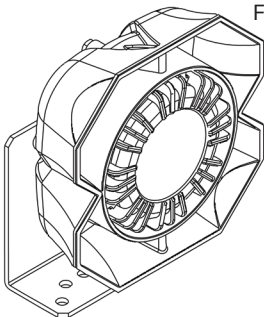


Figure 3.3

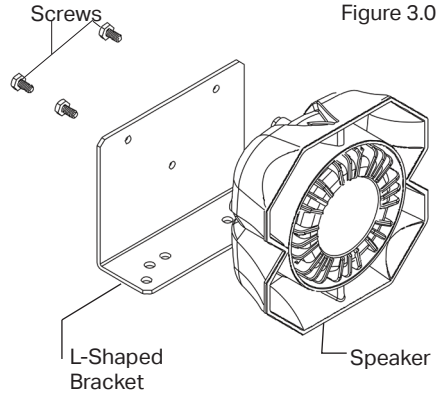
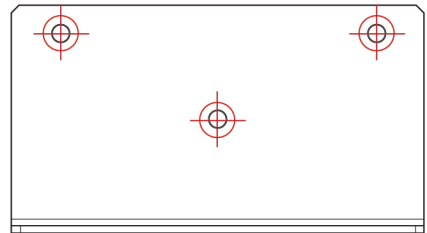


Figure 3.0

L-Shaped Bracket: Front View

Figure 3.1



Step 5: Utilizing bolts larger than 0.25", secure the L-bracket to the surface mount.

Step 6: To install the speaker to the bracket, pass the speaker wires through an existing hole on the bottom of the bracket (see figure 3.2).

Step 7: To reattach the speaker to the bracket, place the three provided bolts through the back of the L-bracket and fasten the bolts.