



# FN-8118 INSTRUCTION MANUAL



Fenix Product Copyrights This price List and the mentioned Fenix products include or describe copyrighted Fenix material. Laws in the United States and other countries preserve for Fenix Industries and its licensors certain exclusive rights for copyrighted material, including the exclusive right to copy, reproduce in any form, distribute and make derivative works of the copyrighted material. Accordingly, any copyrighted material of Fenix and its licensors contained herein or in the Fenix products described in this Price List may not be copied, reproduced, distributed, merged or modified, transmitted, transcribed, stored in retrieval system or translated into any language or computer language, in any form or by any means, without prior written permission of Fenix Industries, Inc.. Fenix and the stylized Fenix logo are registered in the U.S. Patent & Trademark Office.



# TABLE OF CONTENTS



<b>Safety Regulations &amp; Warranty</b> .....	3
Service after Expiration .....	3
Copyright .....	3
Feniex Product Copyright .....	3
<b>Box Contents, Specifications, &amp; Dimensions</b> .....	4
Box Contents .....	4
Flash Patterns .....	4
Specifications .....	4
Dimensions .....	4
<b>Configuration &amp; Mounting</b> .....	5
Cigarette Plug Wiring Diagram .....	5
Cigarette Plug Diagram .....	5
Hard-Wire Wiring Diagram .....	5
Power .....	5
Warning Mode Activation .....	5
Flash Pattern Selection .....	5
Takedown & Flood Mode Activation .....	5
Flashing Takedown Activation .....	5
Cruise Mode Activation .....	5
Dim Mode Activation .....	5
<b>Mounting Instructions</b> .....	6
Permanent Mount Instructions .....	5
Magnet Mount Instructions .....	5

# SAFETY REGULATIONS & WARRANTY



## SAFETY REGULATIONS

The following provides all the information necessary to safely operate the previously listed products of Feniex Industries, Inc. Please read this manual thoroughly before installing or operating your new product in order to prevent any damage or injury. Failure to follow the listed instructions in this manual may result in damage to your products or personal injury.

- Proper installation of this product requires good knowledge of automotive systems, electronics & procedures.
- Please guarantee all vital components of the vehicle are not in danger of being damaged by drilling holes necessary for installation. Check all sides of the mounting surface before drilling any holes into the vehicle.
- Do not install this product in any way that interferes with the deployment of the air bag. Doing so may damage the effectiveness of the air bag & can lead to serious personal and vehicle injury. The installer will assume full responsibility of proper installation of the new unit.
- Please clean the mounting surface before installation of the unit when using tape, brackets, magnet, Velcro or suction cups.
- The product's ground wire must be connected directly to the negative (-) battery post for effective use of the unit. Please follow all wiring guidelines provided to guarantee long lifespan & productivity. Failing to follow these instructions may result in damage to the product.

## WARRANTY

Feniex Industries, Inc. warrants to the original purchaser that the product shall be free from defects in material & workmanship for 5 years from the date of purchase for all LED products. Feniex Industries warranties speakers, sirens, flashers, & controllers for 2 years.

If warranty service is needed, please contact customer support:

**Phone:** 1.800.615.8350

**Web Site:** [www.Feniex.com/support](http://www.Feniex.com/support)

**Email:** [techsupport@feniex.com](mailto:techsupport@feniex.com)

If the product needs to be returned for repair or replacement, contact our customer service team (using any method listed above) to receive a Return Merchandise Authorization (RMA) number. Operational times are from 9 a.m. to 6 p.m. central time, Monday through Friday.

 Please do not send in product without contacting support first for a Return Merchandise Authorization (RMA) number.

## CONDITIONS

Feniex Industries, Inc. will not be held responsible for any costs associated with equipment removal and/or re-installation resulting from a warranty claim. It is the sole responsibility of the party initiating a warranty claim to pay shipping charges associated with returning a product to Feniex Industries for repair or replacement.

## SERVICE AFTER EXPIRATION

Feniex Industries will still provide service for all products after expiration of the warranty. For any issues, call the customer support line. In some instances it may be necessary for the product to be shipped, freight prepaid and insured for loss or damage to Feniex headquarters.

 Utilizing non-factory screws and mounting brackets may result in the loss of warranty coverage.

## COPYRIGHT

This instruction manual and the Feniex products described in this instruction manual may include or describe copyrighted Feniex material. Laws in the United States and other countries preserve for Feniex Industries and its licensors certain exclusive rights for copyrighted material, including the exclusive right to copy, reproduce in any form, distribute and make derivative works of the copyrighted material. Accordingly, any copyrighted material of Feniex and its licensors contained herein or in the Feniex products described in this instruction manual may not be copied, reproduced, distributed, merged or modified in any manner without the express written permission of Feniex Industries, Inc.

## FENIEX PRODUCT COPYRIGHTS

The products described in this document are the property of Feniex Industries, Inc. It is furnished by express license agreement only and may be used only in accordance with the terms of such an agreement. Products and documentation are copyrighted materials. Making unauthorized copies is prohibited by law. No part of the product or documentation may be reproduced, transmitted, transcribed, stored in retrieval system or translated into any language or computer language, in any form or by any means, without prior permission from Feniex Industries, Inc.

# BOX CONTENTS, DIMENSIONS, SPECIFICATIONS

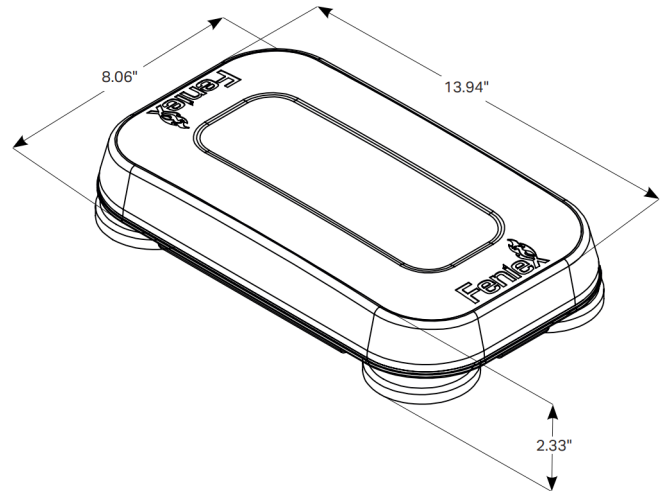


## BOX CONTENTS

COMPONENTS	QUANTITY
Fusion Mini Lightbar	1



## DIMENSIONS



1) Cluster Pattern	Single & Dual Color Modes
2) Attack Pattern	Single & Dual Color Modes
3) Night Ride Pattern	Single & Dual Color Modes
4) Half-Half [Slow]	Single & Dual Color Modes
5) Half-Half [Fast]	Single & Dual Color Modes
6) One-One [Slow]	Single & Dual Color Modes
7) One-One [Fast]	Single & Dual Color Modes
8) Two-Two [Slow]	Single & Dual Color Modes
9) Two -Two [Fast]	Single & Dual Color Modes
10) All-On [Slow]	Single & Dual Color Modes
11) All-On [Fast]	Single & Dual Color Modes
12) In-Out [Slow]	Single & Dual Color Modes
13) In-Out [Fast]	Single & Dual Color Modes
14) Combo: All Slow	Single & Dual Color Modes
15) Combo: All Fast	Single & Dual Color Modes
16) Combo: Fast & Slow	Single & Dual Color Modes

## SYSTEM SPECIFICATIONS

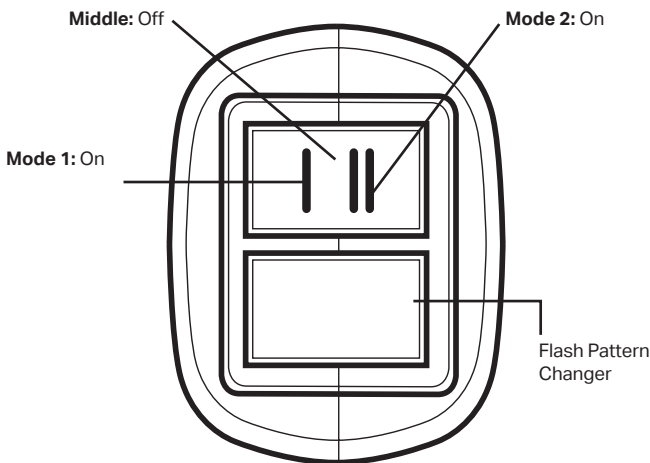
Input Voltage	12 Volts DC
Current Draw	5 Amps
External Fuse	125% of Circuit Load
Color	Amber, Red, Blue, White, Green
Cable	10ft Cable w/Cigarette Plug
SAE Certification	J595, CT13, SAE J1113-11
Flash Patterns	16 (Color 1, Color 2, & Dual Color)
Dimensions	2.33" H x 13.94" L x 8.06" W
Warranty	5 Years

# WIRING DIAGRAM & CONFIGURATION INSTRUCTIONS

## CIGARETTE PLUG WIRING DIAGRAM

WIRE COLOR	FUNCTION	POLARITY	CONNECTION
■ Red	Positive	12v (+)	Positive Terminal
■ Black	Ground	12v (-)	Ground Terminal
■ Yellow	Mode 2	12v (+)	Latching Switch
■ Green	Mode 1	12v (+)	Latching Switch
■ Blue	Pattern	12v (+)	Momentary Switch

## CIGARETTE LIGHTER PLUG DIAGRAM



## HARD-WIRE WIRING DIAGRAM

WIRE COLOR	FUNCTION	POLARITY	CONNECTION
■ Red	Positive	12v (+)	Positive Terminal
■ Black	Ground	12v (-)	Ground Terminal
■ White	Flood	12v (+)	Latching Switch
■ Yellow	Pattern	12v (+)	Momentary Switch
■ Green	Mode 2	12v (+)	Latching Switch
■ Blue	Cruise Mode	12v (+)	Latching Switch
■ Gray	Dim Mode	12v (+)	Latching Switch
■ Brown	Mode 1	12v (+)	Latching Switch

## POWER

To power the unit, extend the red wire to a 12v (+) post. Extend the black wire to the ground post.

## WARNING MODE

For models with the cigarette lighter adapter, activate the unit using the 3-way switch to activate modes 1 & 2.

For hard-wire models, activate the unit by extending the brown & green wires to 12v (+) latching switches.

## FLASH PATTERNS

For models with the cigarette lighter adapter, advance the pattern by pushing the momentary switch for 1 second.

For hard-wire models, advance the pattern by extending the yellow wire to a 12v (+) momentary switch or tap the yellow wire to a 12v (+) terminal for 1 second.

**!** Mode 2 overrides mode 1 if both wires are activated.

## TAKEDOWN & FLOOD MODE

Activate the factory configured takedown function by extending the white wire to a 12v (+) latching switch. For dual color models, the flood mode will be activated instead of the takedown function.

**!** Takedown functionality must be specified at time of order. Modules in takedown positions will only function as takedown or flashing takedown, no warning patterns will be displayed.

## TAKEDOWN FLASHING

Activate the factory configured takedown flashing function by extending the green wire to a 12v (+) latching switch. For dual color models, warning mode 2 will be activated instead of the flashing takedown function.

## CRUISE MODE

For hard-wire models, activate Cruise Mode by extending the blue wire to a 12v (+) latching switch.

**!** Cruise Mode is only available on hard-wire models. On single color models, Cruise will remain active beneath warning patterns, but will be overridden by dual color warning modes.

## DIM MODE

For hard-wire models, activate Dim Mode by extending the gray wire to a 12v (+) latching switch.

**!** Dim Mode is only available on hard-wire models. This mode will dim all modes except for Takedown functions & Flood Mode.

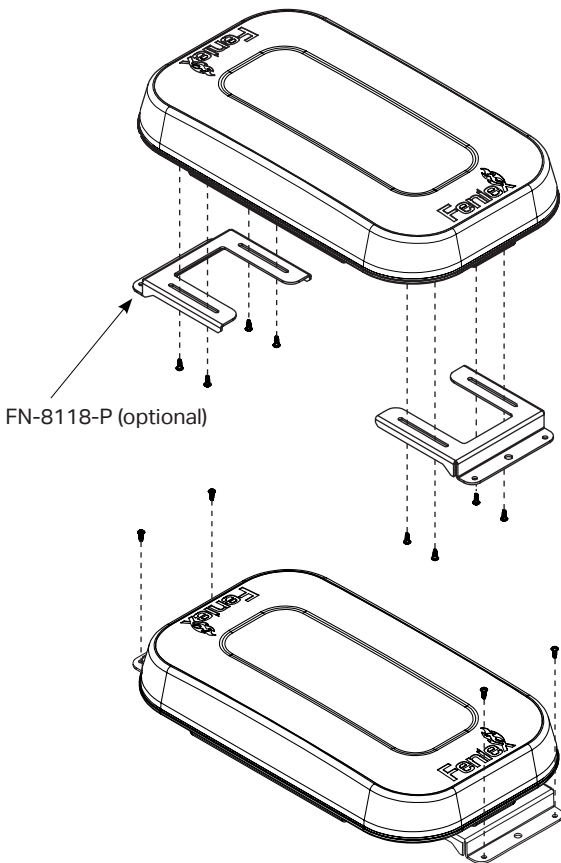
# MOUNTING INSTRUCTIONS

**!** Installing the permanent brackets will involve drilling holes.

**!** The permanent mount bracket is adjustable and can be moved in or out.

## PERMANENT MOUNT INSTRUCTIONS

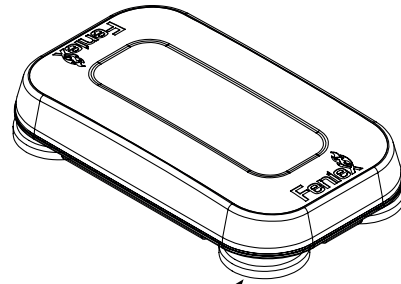
- 1) Place the permanent bracket on the platform and mark the first hole for drilling.
- 2) Drill the marked hole.
- 3) Attach the permanent bracket to the platform with a self-tapping screw (user provided).
- 4) Mark the second hole for drilling on the opposite corner of the bracket. Secure the bracket using a self-tapping screw on the drilled hole.
- 5) Mark and drill the remaining 2 holes and secure the bracket with self-tapping screws.



**!** Magnetic mounts are not meant to be used at highway speeds. It is recommended not to exceed 35MPH with magnet mounts.

## MAGNET MOUNT INSTRUCTIONS

- 1) Place Fusion Mini Lightbar magnets on a flat surface, or between ridges in the roofline to ensure a secure magnetic connection.
- 2) Route the cable carefully through the door. Be sure the cable isn't tightly pinched and that it doesn't interfere with the door latching securely.



Magnet Mounts (standard)