

# TORCH

TOWERING BRIGHTNESS



P-1519

## INSTRUCTION MANUAL

# TABLE OF CONTENTS

<b>Safety Regulations</b> .....	3
<b>Warranty</b> .....	3
Service after Expiration.....	3
<b>Copyright</b> .....	3
Feniex Product Copyright.....	3
<b>Equipment Dimensions</b> .....	4
<b>Wiring Diagram</b> .....	5
<b>Mounting Instructions</b> .....	6

## Safety Regulations

The following provides all the information necessary to safely operate the previously listed products of Feniex Industries, Inc. Please read this manual thoroughly before installing or operating your new product in order to prevent any damage or injury. Failure to follow the listed instructions in this manual may result in damage to your products or personal injury.

- Proper installation of this product requires good knowledge of automotive systems, electronics and procedures.
- Please guarantee all vital components of the vehicle are not in danger of being damaged by drilling holes necessary for installation. Check all sides of the mounting surface before drilling any holes into the vehicle.
- Do not install this product in any way that interferes with the deployment of the air bag. Doing so may damage the effectiveness of the air bag and can lead to serious personal and vehicle injury. The installer will assume full responsibility of proper installation of the new unit.
- Please clean the mounting surface before installation of the unit when using tape, brackets, magnet, Velcro or suction cups.
- The product's ground wire must be connected directly to the Negative (-) battery post for effective use of the unit. Please follow all wiring guidelines provided to guarantee long lifespan and productivity. Failing to follow these instructions may result in damage to the product.

## Warranty

Feniex Industries, Inc. warrants to the original purchaser that the product shall be free from defects in material & workmanship for 5 years from the date of purchase for all LED products. Feniex Industries warranties speakers, sirens, flashers, & controllers for 2 years.

If a warranty problem occurs, please contact customer support at 1.800.615.8350 or visit the web site at [www.feniex.com](http://www.feniex.com). If the product needs to be returned for repair or replacement, call our customer support line to receive a return merchandise authorization number.

Operational times are from 10 a.m. to 5 p.m. central time, Monday through Friday. Please do not send in product without contacting support first for a RMA number.

## Service After Expiration

Feniex Industries will still provide service for all products after expiration of the warranty. For any issues, call the customer support line. In some instances it may be necessary for the product to be shipped, freight prepaid and insured for loss or damage to Feniex headquarters.

**Warning!** Utilizing non-factory screws and mounting brackets may result in loss of warranty coverage.

## Copyright

This instruction manual and the Feniex products described in this instruction manual may include or describe copyrighted Feniex material. Laws in the United States and other countries preserve for Feniex Industries and its licensors certain exclusive rights for copyrighted material, including the exclusive right to copy, reproduce in any form, distribute and make derivative works of the copyrighted material. Accordingly, any copyrighted material of Feniex and its licensors contained herein or in the Feniex products described in this instruction manual may not be copied, reproduced, distributed, merged or modified in any manner without the express written permission of Feniex Industries, Inc.

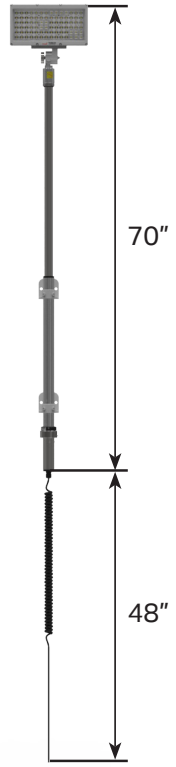
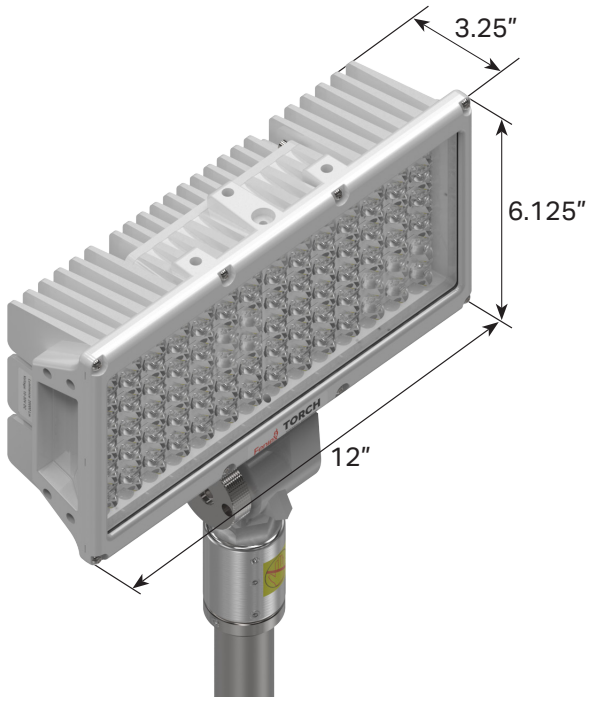
## Feniex Product Copyrights

The products described in this document are the property of Feniex Industries, Inc. It is furnished by express license agreement only and may be used only in accordance with the terms of such an agreement. Products and documentation are copyrighted materials. Making unauthorized copies is prohibited by law. No part of the product or documentation may be reproduced, transmitted, transcribed, stored in retrieval system or translated into any language or computer language, in any form or by any means, without prior permission from Feniex Industries, Inc.

# SPECIFICATIONS & DIMENSIONS

## SPECIFICATIONS

Input Voltage:	11 - 27V DC
Current Draw:	14 peak Amps
Fuse	125% of Circuit Draw



# WIRING DIAGRAM & WIRING INSTRUCTIONS

1. In order to power the unit, extend both the red, 12V(+) wires to the 12V(+) post of the vehicle's battery. Extend both the black 12V(-) wires to the ground post of the vehicle's battery. All 4 wires ( 2 black and 2 red) must be used due to the current requirements of the light.

## WIRING DIAGRAM

COLOR	FUNCTION	POLARITY	CONNECTION
■ Red	Positive	12v (+)	Latching Switch
■ Black	Ground	12v (-)	Chasis Ground



# MOUNTING INSTRUCTIONS

1. Place the unit against the selected mounting surface.
2. Mark the areas where the mounting holes will be drilled. If the mounting surface is part of the vehicle, make sure no vital components could be damaged by the drilling process.

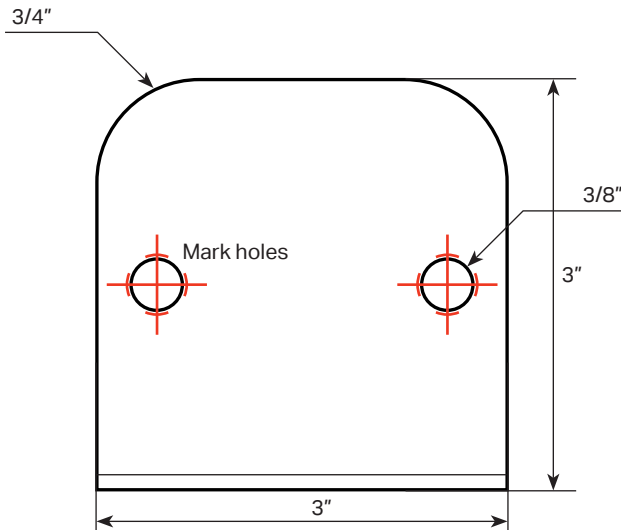
**Important!** Hardware is sold separately.

3. Drill two mounting holes per bracket in the marked holes surface. Use hardware (not provided) to secure the brackets to the mounting surface.

4. Use the provided set screws to firmly position the brackets to the pole light. Screw tightly with a flat-head screwdriver to ensure the brackets are tightened securely to the pole.



Set screw location



**Note!** The above Diagram is not to scale.