

FUSION-S

FUSION-S 600 LIGHTSTICK FS-0616



Equipment Dimensions ▲

pp. 03

Specifications ▲

pp.04

Wiring Diagram ▲

pp.04

Quad Converter ▲

pp.05



Fenix Product Copyrights This price List and the mentioned Fenix products include or describe copyrighted Fenix material. Laws in the United States and other countries preserve for Fenix Industries and its licensors certain exclusive rights for copyrighted material, including the exclusive right to copy, reproduce in any form, distribute and make derivative works of the copyrighted material. Accordingly, any copyrighted material of Fenix and its licensors contained herein or in the Fenix products described in this Price List may not be copied, reproduced, distributed, merged or modified/transmitted, transcribed, stored in retrieval system or translated into any language or computer language, in any form or by any means, without prior written permission of Fenix Industries, Inc. Fenix and the stylized Fenix logo are registered in the U.S. Patent & Trademark Office.



SAFETY REGULATIONS & WARRANTY

Safety Regulations

The following provides all the information necessary to safely operate the previously listed products of Feniex Industries, Inc. Please read this manual thoroughly before installing or operating your new product in order to prevent any damage or injury. Failure to follow the listed instructions in this manual may result in damage to your products or personal injury.

- Proper installation of this product requires good knowledge of automotive systems, electronics and procedures.
- Please guarantee all vital components of the vehicle are not in danger of being damaged by drilling holes necessary for installation. Check all sides of the mounting surface before drilling any holes into the vehicle.
- Do not install this product in any way that interferes with the deployment of the air bag. Doing so may damage the effectiveness of the air bag and can lead to serious personal and vehicle injury. The installer will assume full responsibility of proper installation of the new unit.
- Please clean the mounting surface before installation of the unit when using tape, brackets, magnet, Velcro or suction cups.
- The product's ground wire must be connected directly to the Negative (-) battery post for effective use of the unit. Please follow all wiring guidelines provided to guarantee long lifespan and productivity. Failing to follow these instructions may result in damage to the product.

Warranty

Feniex Industries, Inc. warranties to the original purchaser that all our products shall be free from defects in material and workmanship. Feniex Industries' speakers, sirens, rocker panels, AM600 Beacons, Torch Lights, AI lightbars, AI Cubes, AM900 Work Lights, 8.5" Dome Lights, flashlights, Remote Spot Lights and controllers are warranted for 2 years from the manufacturing date. In addition, all other products are warranted for 5 years from the manufacturing date.

If a warranty problem occurs, please contact customer support at 1.800.615.8350 or visit the web site at www.Feniex.com.

If the product needs to be returned for repair or replacement, call our customer support line to receive a return merchandise authorization number.

Operational times are from 10 a.m. to 5 p.m. central time, Monday through Friday. Please do not send in product without contacting support first for a RMA number.

Service After Expiration

Feniex Industries will still provide service for all products after expiration of the warranty. For any issues, call the customer support line. In some instances it may be necessary for the product to be shipped, freight prepaid and insured for loss or damage to Feniex headquarters.

Warning! Utilizing non-factory screws and mounting brackets may result in loss of warranty coverage.

Copyright

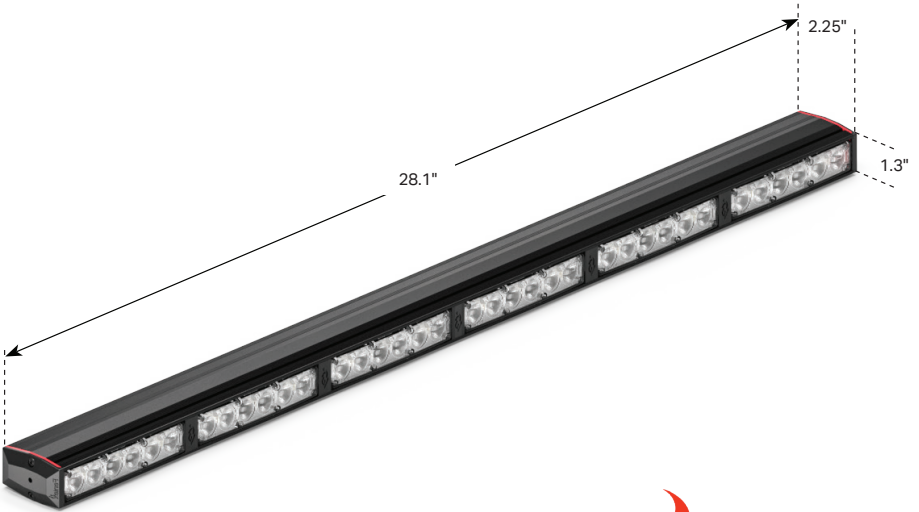
This instruction manual and the Feniex products described in this instruction manual may include or describe copyrighted Feniex material. Laws in the United States and other countries preserve for Feniex Industries and its licensors certain exclusive rights for copyrighted material, including the exclusive right to copy, reproduce in any form, distribute and make derivative works of the copyrighted material. Accordingly, any copyrighted material of Feniex and its licensors contained herein or in the Feniex products described in this instruction manual may not be copied, reproduced, distributed, merged or modified in any manner without the express written permission of Feniex Industries, Inc.

Feniex Product Copyrights

The products described in this document are the property of Feniex Industries, Inc. It is furnished by express license agreement only and may be used only in accordance with the terms of such an agreement. Products and documentation are copyrighted materials. Making unauthorized copies is prohibited by law. No part of the product or documentation may be reproduced, transmitted, transcribed, stored in retrieval system or translated into any language or computer language, in any form or by any means, without prior permission from Feniex Industries, Inc.

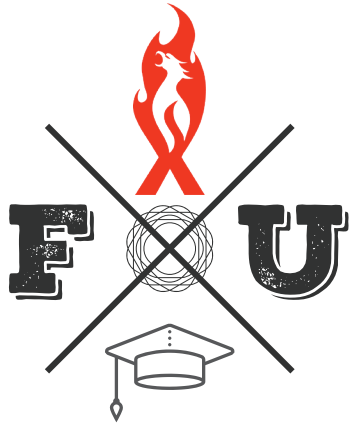


EQUIPMENT DIMENSIONS



Fenix University

Before installing the Fusion® S Lightstick, watch our instructional video series, Fenix University. Get an in-depth look at the Fusion-S Lightsticks, Quad Converter and much more.



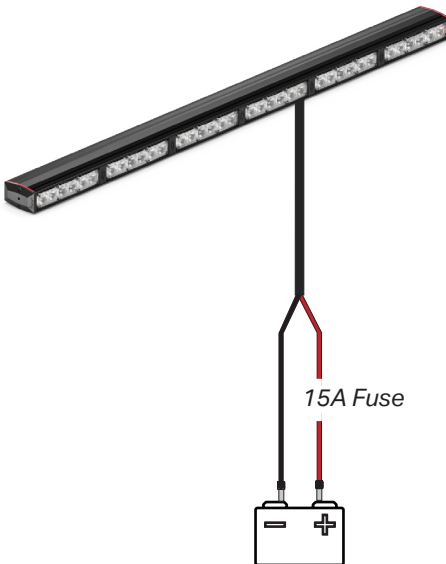
Use the link below:
fenixuniversity.com

▲ WIRING DIAGRAM

Wire:	Function:
Black	12V-
Red	12V+
White	Takedown*
Yellow	Pattern Change 12V+
Green	Takedown Flashing*
Brown	Mode 1
Blue	Left Arrow
Gray	Right Arrow
Gray+Blue	Center Out**

*Must be preordered with takedowns

**Both wires together



▲ SPECIFICATIONS

Warranty	5 years
Voltage	10-18 Volts DC
Current Draw	5 Amps

▲ PATTERNS

1	Cluster
2	Attack
3	Night Ride
4	Combo Slow-Fast
5	Combo Slow
6	Combo Fast
7	Half-Half Slow
8	Half-Half Fast
9	One-One Slow
10	One-One Fast
11	Two-Two Slow
12	Two-Two Fast
13	All-On Slow
14	All-On Fast
15	In-Out Slow
16	All-Out Fast
+	Directional Patterns

▲ WIRING INSTRUCTIONS

1. In order to power the unit, extend the red, 12V+ wire to the 12V+ post of the vehicle's battery. Extend the black 12V- wire to the ground post of the vehicle's battery.
2. To turn the lightstick on, connect the brown wire to a 12V+ source.
3. Momentarily connect the yellow wire on a 12V+ source to change flash patterns.
4. For left arrow function, connect the blue wire to a 12V+ post (switch). There are 8 different left arrow flash patterns. To select a pattern, engage the blue wire to a 12V+ source and momentarily connect the yellow wire on a 12V+ source to select the desired pattern.
5. For right arrow function, connect the gray wire to a 12V+ post (switch). There are 8 different right arrow flash patterns. To select a pattern, engage the gray wire to a 12V+ source and momentarily connect the yellow wire on a 12V+ source to select the desired pattern.
6. In order to achieve a center out directional pattern, connect both the gray and blue wires to a 12V+ post (switch). There are 8 different center out flash patterns. To select a pattern, engage the blue and gray wires to a 12V+ source and momentarily connect the yellow wire on a 12V+ source to select the desired pattern.
7. For takedown steady functionality, connect the white wire to a 12V+ post (switch).
8. For takedown flashing, connect the green wire to a 12V+ post.