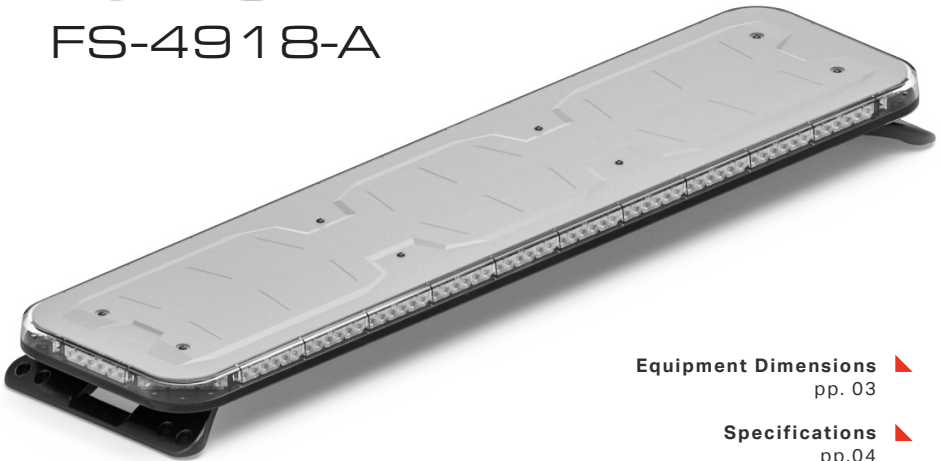


FUSION[®]A

FUSION AMBER 49" LIGHTBAR FS-4918-A



Equipment Dimensions ▲
pp. 03

Specifications ▲
pp.04

Wiring Diagram ▲
pp.04

Quad Converter ▲
pp.05

Connecting 4200 DL ▲
pp.09



Fenix Product Copyrights This price List and the mentioned Fenix products include or describe copyrighted Fenix material. Laws in the United States and other countries preserve for Fenix Industries and its licensors certain exclusive rights for copyrighted material, including the exclusive right to copy, reproduce in any form, distribute and make derivative works of the copyrighted material. Accordingly, any copyrighted material of Fenix and its licensors contained herein or in the Fenix products described in this Price List may not be copied, reproduced, distributed, merged or modified/transmitted, transcribed, stored in retrieval system or translated into any language or computer language, in any form or by any means, without prior written permission of Fenix Industries, Inc. Fenix and the stylized Fenix logo are registered in the U.S. Patent & Trademark Office.



SAFETY REGULATIONS & WARRANTY

Safety Regulations

The following provides all the information necessary to safely operate the previously listed products of Feniex Industries, Inc. Please read this manual thoroughly before installing or operating your new product in order to prevent any damage or injury. Failure to follow the listed instructions in this manual may result in damage to your products or personal injury.

- Proper installation of this product requires good knowledge of automotive systems, electronics and procedures.
- Please guarantee all vital components of the vehicle are not in danger of being damaged by drilling holes necessary for installation. Check all sides of the mounting surface before drilling any holes into the vehicle.
- Do not install this product in any way that interferes with the deployment of the air bag. Doing so may damage the effectiveness of the air bag and can lead to serious personal and vehicle injury. The installer will assume full responsibility of proper installation of the new unit.
- Please clean the mounting surface before installation of the unit when using tape, brackets, magnet, Velcro or suction cups.
- The product's ground wire must be connected directly to the Negative (-) battery post for effective use of the unit. Please follow all wiring guidelines provided to guarantee long lifespan and productivity. Failing to follow these instructions may result in damage to the product.

Warranty

Feniex Industries, Inc. warranties to the original purchaser that all our products shall be free from defects in material and workmanship. Feniex Industries' speakers, sirens, rocker panels, AM600 Beacons, Torch Lights, AI lightbars, AI Cubes, AM900 Work Lights, 8.5" Dome Lights, flashlights, Remote Spot Lights and controllers are warranted for 2 years from the manufacturing date. In addition, all other products are warranted for 5 years from the manufacturing date.

If a warranty problem occurs, please contact customer support at 1.800.615.8350 or visit the web site at www.Feniex.com.

If the product needs to be returned for repair or replacement, call our customer support line to receive a return merchandise authorization number.

Operational times are from 10 a.m. to 5 p.m. central time, Monday through Friday. Please do not send in product without contacting support first for a RMA number.

Service After Expiration

Feniex Industries will still provide service for all products after expiration of the warranty. For any issues, call the customer support line. In some instances it may be necessary for the product to be shipped, freight prepaid and insured for loss or damage to Feniex headquarters.

Warning! Utilizing non-factory screws and mounting brackets may result in loss of warranty coverage.

Copyright

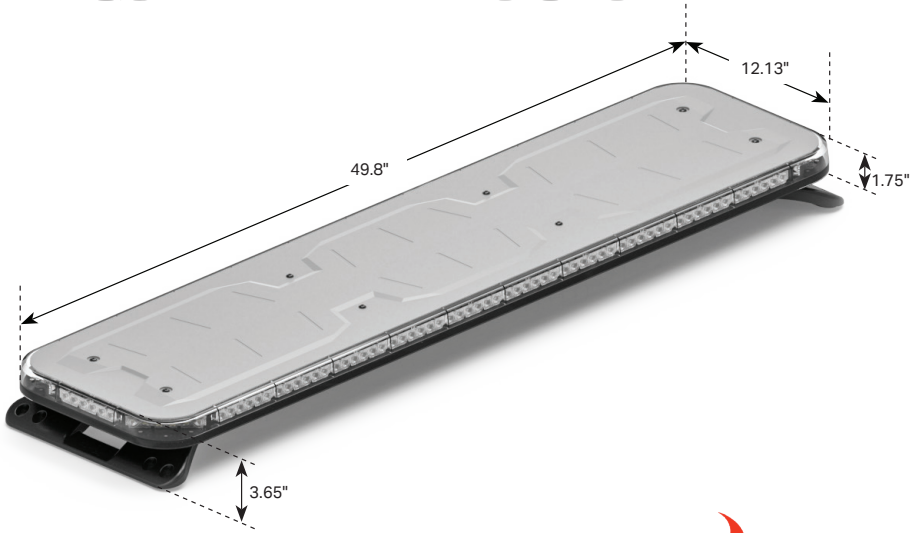
This instruction manual and the Feniex products described in this instruction manual may include or describe copyrighted Feniex material. Laws in the United States and other countries preserve for Feniex Industries and its licensors certain exclusive rights for copyrighted material, including the exclusive right to copy, reproduce in any form, distribute and make derivative works of the copyrighted material. Accordingly, any copyrighted material of Feniex and its licensors contained herein or in the Feniex products described in this instruction manual may not be copied, reproduced, distributed, merged or modified in any manner without the express written permission of Feniex Industries, Inc.

Feniex Product Copyrights

The products described in this document are the property of Feniex Industries, Inc. It is furnished by express license agreement only and may be used only in accordance with the terms of such an agreement. Products and documentation are copyrighted materials. Making unauthorized copies is prohibited by law. No part of the product or documentation may be reproduced, transmitted, transcribed, stored in retrieval system or translated into any language or computer language, in any form or by any means, without prior permission from Feniex Industries, Inc.

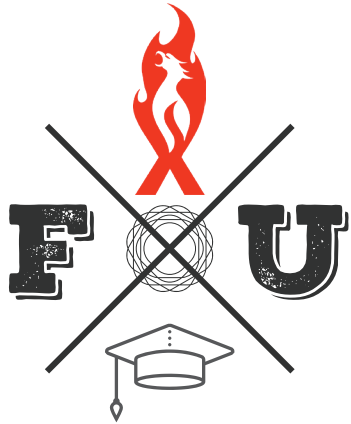


EQUIPMENT DIMENSIONS



Fenix University

Before installing the Fusion Amber Lightbar, watch our instructional video series, Fenix University. Get an in-depth look at the Fusion Amber Lightbar, Quad Converter and much more.

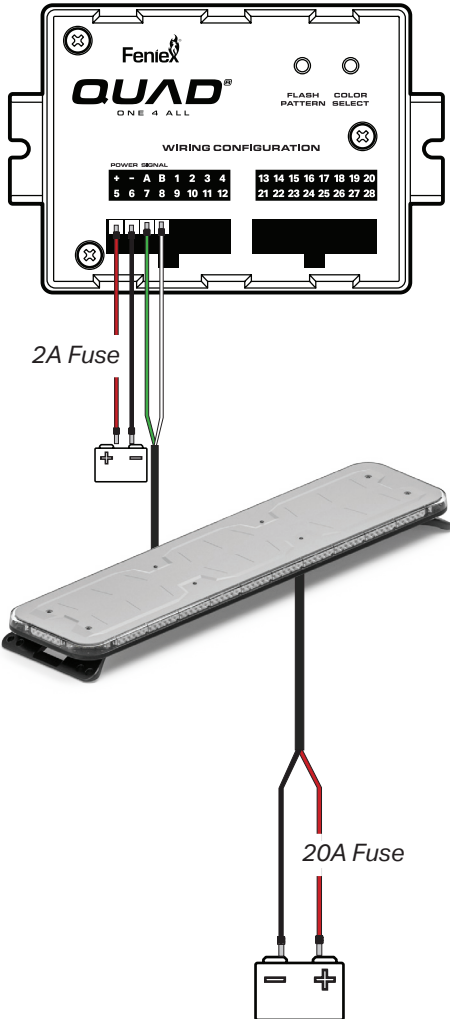


Use the link below:
fenixuniversity.com



▲ WIRING DIAGRAM

| | |
|-------|-------------|
| Wire: | Function: |
| Green | Data Wire A |
| White | Data Wire B |

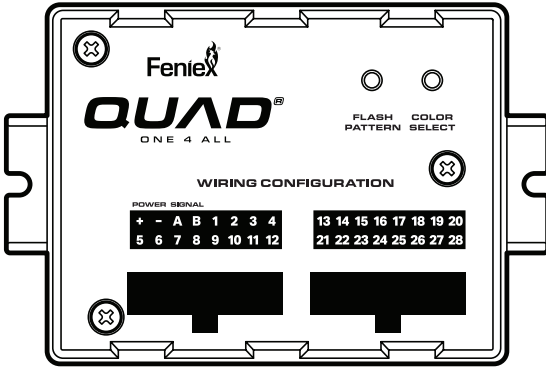


▲ SPECIFICATIONS

| | |
|--------------|----------------|
| Warranty | 5 years |
| Voltage | 10-18 Volts DC |
| Current Draw | 20 Amps |

▲ PATTERNS

| | |
|----|------------------|
| 1 | Attack |
| 2 | Cluster |
| 3 | Cluster Mix |
| 4 | Combo Single |
| 5 | Combo Triple |
| 6 | Vehicle Park |
| 7 | Half-Half Single |
| 8 | Half-Half Triple |
| 9 | 1-1 Single |
| 10 | 1-1 Triple |
| 11 | 2-2 Single |
| 12 | 2-2 Triple |
| 13 | All-on Single |
| 14 | All-on Triple |
| 15 | End + Corner |



▲ QUAD CONVERTER

| | | | |
|----|----------------------|----|-------------------|
| 1 | Front Mode 1 | 15 | Left Signal |
| 2 | Front Mode 2 | 16 | Right Signal |
| 3 | Front Mode 3 | 17 | Tail |
| 4 | Takedown Alley Flash | 18 | Brake |
| 5 | Rear Mode 1 | 19 | Front Flood |
| 6 | Rear Mode 2 | 20 | Rear Flood |
| 7 | Rear Mode 3 | 21 | Alley Right Flood |
| 8 | STT Flashing | 22 | Alley Left Flood |
| 9 | Driver Cut | 23 | California Red |
| 10 | Passenger Cut | 24 | Cruise Left |
| 11 | Front Cut | 25 | Cruise Right |
| 12 | Rear Cut | 26 | Dim 10% |
| 13 | Left Arrow | 27 | Dim 50% |
| 14 | Right Arrow | 28 | Arrow Position |



▲ PROGRAMMING

Must activate each mode and then tap the pattern select button on the Quad Converter.

■ Arrow Modes 13 & 14

If you wish to step in your traffic advisor pattern using less modules, then activate left or right arrow mode and tap mode 28 to 12V+ 1 second each time to step the patterns in.

■ Signal Modes 15 & 16

To reposition your turn signal to less modules or a single module, activate the signal mode and tap the pattern select button to a 12V+ for 1 second.

| | |
|----|-------------------------|
| 1 | Front Mode 1 |
| 2 | Front Mode 2 |
| 3 | Front Mode 3 |
| 4 | Takedown/Alley Flashing |
| 5 | Rear Mode 1 |
| 6 | Rear Mode 2 |
| 7 | Rear Mode 3 |
| 8 | STT Flashing |
| 9 | Driver Cut |
| 10 | Passenger Cut |
| 11 | Front Cut |
| 12 | Rear Cut |
| 13 | Left Arrow |
| 14 | Right Arrow |
| 15 | Left Signal |
| 16 | Right Signal |
| 17 | Tail |
| 18 | Brake |
| 19 | Front Flood |
| 20 | Rear Flood |
| 21 | Alley Right Flood |
| 22 | Alley Left Flood |
| 23 | California Red |
| 24 | Cruise Left |
| 25 | Cruise Right |
| 26 | Dim 10% |
| 27 | Dim 50% |
| 28 | Arrow Position |

▲ PROG. CONT.

■ Tail & Brake Modes 17 & 18

To reposition tail and brake to a different module, activate the mode and tap the pattern select button to a 12V+ for 1 second.

■ Takedown Modes 19 & 20

To reposition take down to the appropriate module, activate the flood mode and tap the pattern select button to a 12V+ for 1 second.

■ Alley Modes 21 & 22

To reposition alley to the center, activate the Left or Right Alley mode and then tap the pattern select button to a 12V+ for 1 second.

| | |
|----|-------------------------|
| 1 | Front Mode 1 |
| 2 | Front Mode 2 |
| 3 | Front Mode 3 |
| 4 | Takedown/Alley Flashing |
| 5 | Rear Mode 1 |
| 6 | Rear Mode 2 |
| 7 | Rear Mode 3 |
| 8 | STT Flashing |
| 9 | Driver Cut |
| 10 | Passenger Cut |
| 11 | Front Cut |
| 12 | Rear Cut |
| 13 | Left Arrow |
| 14 | Right Arrow |
| 15 | Left Signal |
| 16 | Right Signal |
| 17 | Tail |
| 18 | Brake |
| 19 | Front Flood |
| 20 | Rear Flood |
| 21 | Alley Right Flood |
| 22 | Alley Left Flood |
| 23 | California Red |
| 24 | Cruise Left |
| 25 | Cruise Right |
| 26 | Dim 10% |
| 27 | Dim 50% |
| 28 | Arrow Position |



▲ PROG. CONT.

■ California Red Mode 23

To reposition California Red to another module or to add more modules, activate California Red mode and then tap the pattern select button to a 12V+ for 1 second.

■ Cruise Modes 24 & 25

To add more modules to cruise, activate cruise mode and then tap your pattern select button to a 12V+ for 1 second to illuminate more modules.

| | |
|----|-------------------------|
| 1 | Front Mode 1 |
| 2 | Front Mode 2 |
| 3 | Front Mode 3 |
| 4 | Takedown/Alley Flashing |
| 5 | Rear Mode 1 |
| 6 | Rear Mode 2 |
| 7 | Rear Mode 3 |
| 8 | STT Flashing |
| 9 | Driver Cut |
| 10 | Passenger Cut |
| 11 | Front Cut |
| 12 | Rear Cut |
| 13 | Left Arrow |
| 14 | Right Arrow |
| 15 | Left Signal |
| 16 | Right Signal |
| 17 | Tail |
| 18 | Brake |
| 19 | Front Flood |
| 20 | Rear Flood |
| 21 | Alley Right Flood |
| 22 | Alley Left Flood |
| 23 | California Red |
| 24 | Cruise Left |
| 25 | Cruise Right |
| 26 | Dim 10% |
| 27 | Dim 50% |
| 28 | Arrow Position |

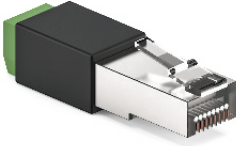




▲ CONNECTING THE 4200 DL

■ RJ45 Adapter

1. To connect the Fusion® Amber Lightbar to the 4200 DL Relay & Controller, use the provided RJ45 Adapter.



2. Connect the adapter to the RJ45 ports on the 4200 DL Relay marked "1", "2", or "3". Once plugged in, connect the two data wires to the RJ45 Adapter.

3. Connect the white data wire to the port marked "A" on the adapter. Connect the green data wire to port "B" on the adapter.

