

TYPHOON[®]

CLEAR THE ROAD



C-4017

INSTRUCTION MANUAL



Feniex Product Copyrights This price List and the mentioned Feniex products include or describe copyrighted Feniex material. Laws in the United States and other countries preserve for Feniex Industries and its licensors certain exclusive rights for copyrighted material, including the exclusive right to copy, reproduce in any form, distribute and make derivative works of the copyrighted material. Accordingly, any copyrighted material of Feniex and its licensors contained herein or in the Feniex products described in this Price List may not be copied, reproduced, distributed, merged or modified, transmitted, transcribed, stored in retrieval system or translated into any language or computer language, in any form or by any means, without prior written permission of Feniex Industries, Inc.. Feniex and the stylized Feniex logo are registered in the U.S. Patent & Trademark Office.



TABLE OF CONTENTS



Safety Regulations & Warranty	3
Service after Expiration	3
Copyright	3
Feniex Product Copyright	3
Box Contents, Specifications, & Dimensions	4
Box Contents	4
Dimensions	4
Specifications	4
Patterns, Tones, & Wiring	5
Integrated Flasher Patterns	5
Siren Tones	5
Full Function M1 & M2 Tones	5
Wiring Information	5
Configuration Instructions	6
Power	6
Full Function Latching or Momentary Buttons	6
Integrated Flasher Functionality	6
Power-Up Functionality	6
Full Function Rotary Switch Functions	6
Configuration Instructions	7
Siren Momentary or Latching Buttons	7
Park-Kill	7
Radio Rebroadcast & Microphone	7
Microphone Volume	7
Mounting Instructions	8
Typhoon Amplifier Mounting	8
Typhoon Handheld Mounting	8
Mounting Instructions	9
Typhoon Full Function Swivel Bracket Mounting	9
Typhoon L-Bracket Mounting	9

SAFETY REGULATIONS & WARRANTY



SAFETY REGULATIONS

The following provides all the information necessary to safely operate the previously listed products of Feniex Industries, Inc. Please read this manual thoroughly before installing or operating your new product in order to prevent any damage or injury. Failure to follow the listed instructions in this manual may result in damage to your products or personal injury.

- Proper installation of this product requires good knowledge of automotive systems, electronics & procedures.
- Please guarantee all vital components of the vehicle are not in danger of being damaged by drilling holes necessary for installation. Check all sides of the mounting surface before drilling any holes into the vehicle.
- Do not install this product in any way that interferes with the deployment of the air bag. Doing so may damage the effectiveness of the air bag & can lead to serious personal and vehicle injury. The installer will assume full responsibility of proper installation of the new unit.
- Please clean the mounting surface before installation of the unit when using tape, brackets, magnet, Velcro or suction cups.
- The product's ground wire must be connected directly to the negative (-) battery post for effective use of the unit. Please follow all wiring guidelines provided to guarantee long lifespan & productivity. Failing to follow these instructions may result in damage to the product.

WARRANTY

Feniex Industries, Inc. warrants to the original purchaser that the product shall be free from defects in material & workmanship for 5 years from the date of purchase for all LED products. Feniex Industries warranties speakers, sirens, flashers, & controllers for 2 years.

If warranty service is needed, please contact customer support:

Phone: 1.800.615.8350

Web Site: www.Feniex.com/support

Email: techsupport@feniex.com

If the product needs to be returned for repair or replacement, contact our customer service team (using any method listed above) to receive a Return Merchandise Authorization (RMA) number. Operational times are from 9 a.m. to 6 p.m. central time, Monday through Friday.

 Please do not send in product without contacting support first for a Return Merchandise Authorization (RMA) number.

CONDITIONS

Feniex Industries, Inc. will not be held responsible for any costs associated with equipment removal and/or re-installation resulting from a warranty claim. It is the sole responsibility of the party initiating a warranty claim to pay shipping charges associated with returning a product to Feniex Industries for repair or replacement.

SERVICE AFTER EXPIRATION

Feniex Industries will still provide service for all products after expiration of the warranty. For any issues, call the customer support line. In some instances it may be necessary for the product to be shipped, freight prepaid and insured for loss or damage to Feniex headquarters.

 Utilizing non-factory screws and mounting brackets may result in the loss of warranty coverage.

COPYRIGHT

This instruction manual and the Feniex products described in this instruction manual may include or describe copyrighted Feniex material. Laws in the United States and other countries preserve for Feniex Industries and its licensors certain exclusive rights for copyrighted material, including the exclusive right to copy, reproduce in any form, distribute and make derivative works of the copyrighted material. Accordingly, any copyrighted material of Feniex and its licensors contained herein or in the Feniex products described in this instruction manual may not be copied, reproduced, distributed, merged or modified in any manner without the express written permission of Feniex Industries, Inc.

FENIEX PRODUCT COPYRIGHTS

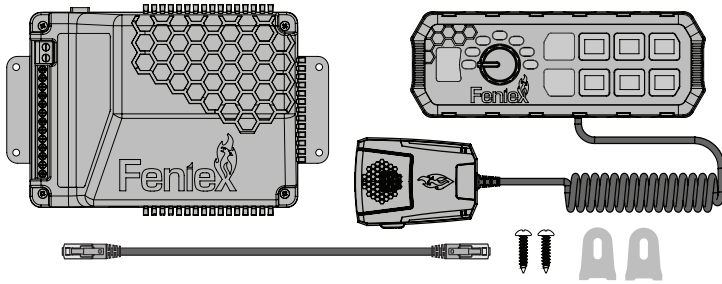
The products described in this document are the property of Feniex Industries, Inc. It is furnished by express license agreement only and may be used only in accordance with the terms of such an agreement. Products and documentation are copyrighted materials. Making unauthorized copies is prohibited by law. No part of the product or documentation may be reproduced, transmitted, transcribed, stored in retrieval system or translated into any language or computer language, in any form or by any means, without prior permission from Feniex Industries, Inc.

BOX CONTENTS, DIMENSIONS, SPECIFICATIONS

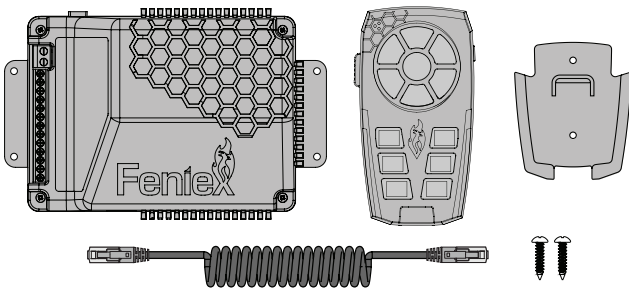


BOX CONTENTS

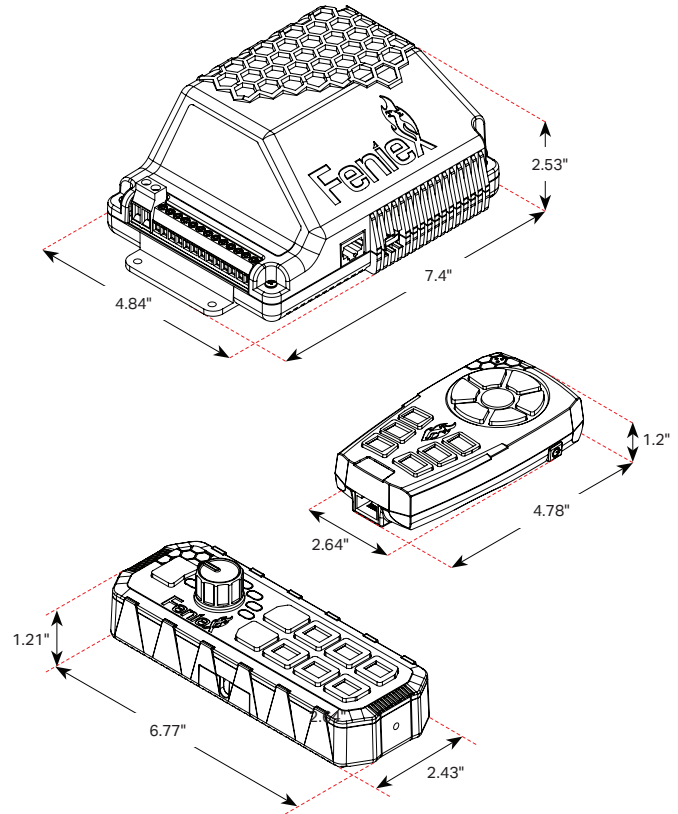
COMPONENTS	QUANTITY
Typhoon Amplifier	1
Full Function Keypad w/external Mic	1*
Short Arm L-Bracket	2*
Screws	2*
RJ45 Cable (15')	1
Button Legends	130
Microphone Clip	1



COMPONENTS	QUANTITY
Typhoon Amplifier	1
Handheld Controller w/integrated Mic	1*
Microphone Nest	1*
Screws	2*
Coiled RJ45 Cable (15')	1
Button Legends	130



DIMENSIONS



SYSTEM SPECIFICATIONS

Input Voltage	12 VDC
Max Amperage	25 Amps
Standby Current	50mA
Main Fuse	30 Amp [onboard]
Impedance	11 Ohms
Siren Output	100 Watts
Siren Voltage	35v RMS
Dimensions	2.33" H x 13.94" L x 8.06" W
Amp Dimensions	4.84" W x 7.4" D x 2.53" H
FF Dimensions	6.77" W x 2.43" D x 1.21" H
HH Dimensions	2.64" W x 1.2" D x 4.78" H
Housing	Aluminum
External Fuse	125% of Circuit Load
Warranty	2 Years

! The Typhoon is capable of outputting a maximum total of 12 amps for all 6 outputs, or 2 amps divided equally across all 6 output. The unit will power off if that capacity is surpassed.

PATTERNS, TONES, & WIRING

INTEGRATED FLASHER PATTERNS

Single Flash [Slow]	Quad Flash [Slow]
Single Flash [Fast]	Quad Flash [Fast]
Single Flash [Combo]	Quad Flash [Combo]
Triple Flash [Slow]	Combination #1
Triple Flash [Fast]	Combination #2
Triple Flash [Combo]	

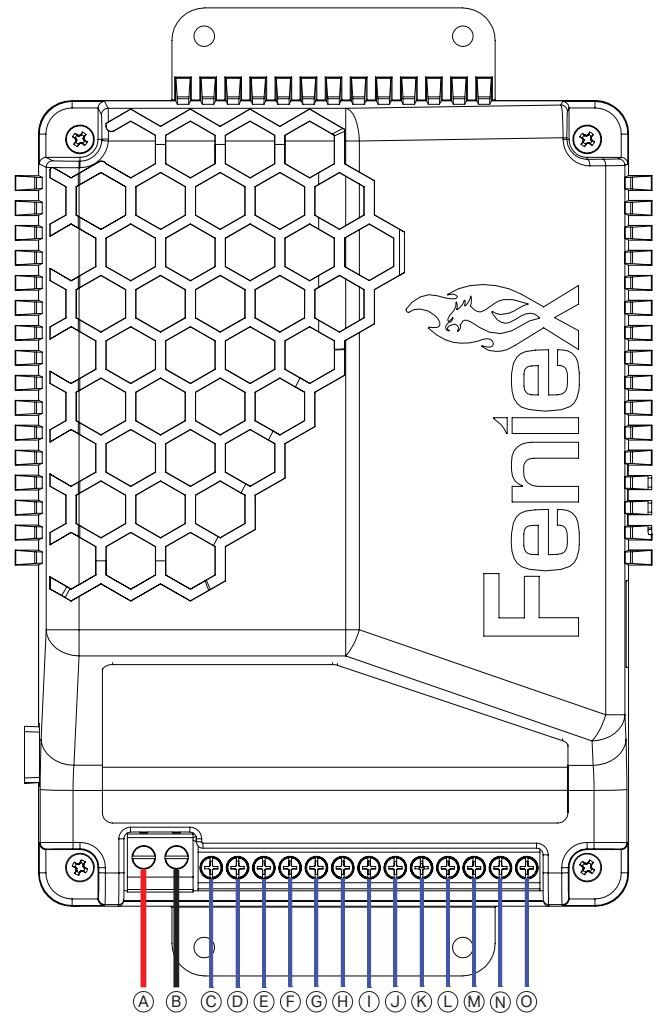
SIREN TONES

1) Wail	13) Ecto Siren
2) Yelp	14) Bad Boys
3) Fast Yelp	15) Move Out of the Way
4) Phaser	16) Pull Over
5) Mechanical	17) Step Out of the Vehicle
6) Manual Wail	18) Step Out w/Hands Up
7) Hi/Lo	19) Remain in your Vehicle
8) P-Call [Slow]	20) Remain... Windows Down
9) P-Call [Fast]	21) Test Tone
10) Horn & Phaser	22) Italian Police
11) Horn & Yelp	23) Italian Ambulance
12) Phaser & Yelp	

FULL FUNCTION M1 & M2 TONES

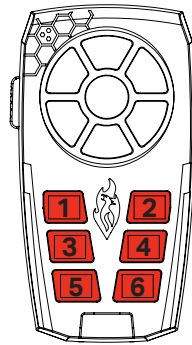
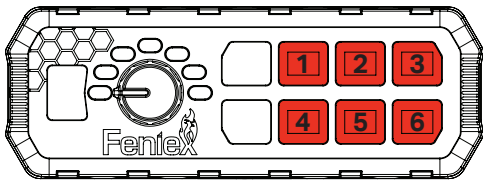
Manual Wail	Step Out of the Vehicle
Ecto Siren	Step Out w/Hands Up
Move Out of the Way	Remain In Your Vehicle
Pull Over	Remain... Windows Down

! User settings for siren tones are stored in keypad/handheld, not in the amplifier.



KEY	FUNCTION	POLARITY	CONNECTION
A	Positive	12v (+)	Positive Terminal
B	Ground	12v (-)	Ground Terminal
C	Output #1 ^{FC1}	12v (+)	Latching Switch
D	Output #2 ^{FC2}	12v (+)	Momentary Switch
E	Output #3	12v (+)	Latching Switch
F	Output #4	12v (+)	Latching Switch
G	Output #5	12v (+)	Latching Switch
H	Output #6	12v (+)	Latching Switch
I	Airhorn Input	12v (+)	External Button/Horn Ring
J	Park-Kill	12v (+)	Signal from Vehicle BCM
K	Rebroadcast On	12v (+)	External Switch
L	Radio Input	N/A	Audio Output from Radio
M	Radio Input	N/A	Audio Output from Radio
N	Siren Speaker	N/A	100w Siren Speaker
O	Siren Speaker	N/A	100w Siren Speaker

*When configured, outputs 1 & 2 are flasher channels 1 & 2



POWER

To power the unit, extend the red wire to a 12v (+) post. Extend the black wire to the ground post.

LATCHING OR MOMENTARY BUTTONS

! Only the buttons highlighted in red (above) can be programmed.

- 1) Press the "On/Off" button to turn the system off.
- 2) Press and hold the desired button you wish to program as momentary.
- 3) Continue holding the selected button while holding down the "On" button for 3 seconds. A beep will sound when programmed.
- 4) The button is now set as a momentary button. To reverse the function, repeat the steps above.

ACTIVATING FLASHER FUNCTIONALITY

- 1) Press the "On/Off" button to turn the system off.
- 2) Press and hold buttons 1 and 2 simultaneously.
- 3) Continue holding buttons 1 and 2 while holding down the "On" button for 3 seconds. A beep will sound when programmed.
- 4) You have now enabled button 1 as the "On/Off" for wig-wag and the button 2 as the pattern select. To reverse the functionality, repeat the steps above.

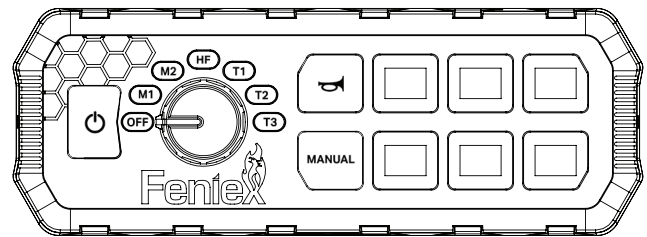
POWER-UP FUNCTIONALITY

Auto Power-Up: Keypad activates upon starting vehicle

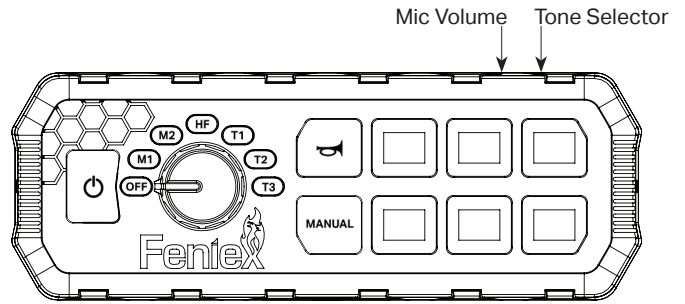
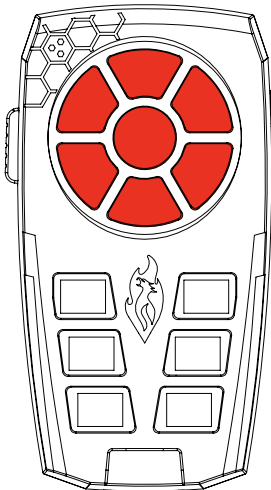
Manual Power-Up: Keypad remains off until manually activated using power button.

! To use this functionality, the Red Wire must be connected to an ignition switched circuit capable of providing current for all 6 outputs and the siren amplifier.

- 1) Press the "On/Off" button to turn the system off.
- 2) Press and hold the power button for 3 seconds. A beep will sound when programmed.
- 3) You have now Toggled the "Auto-On" function. To reverse the functionality, repeat the steps above.



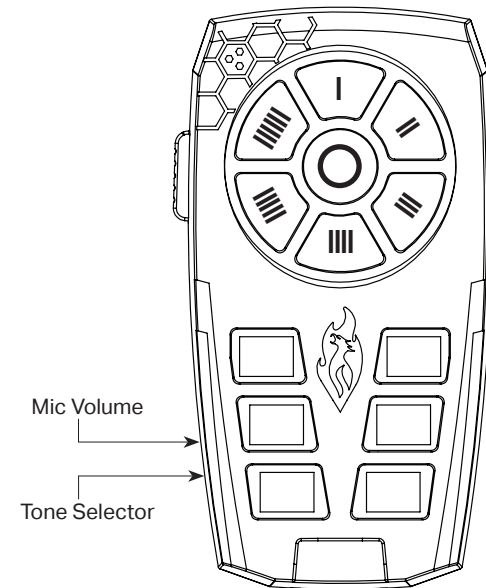
POSITION	FUNCTION	ACTIVATION
OFF	Siren Off	N/A
M1	Ramp Up/Down	Manual [Momentary]
M2	Ramp Up/Stop	Manual [Momentary]
HF	Continuous	Manual x1 & Manual x2
T1	Continuous	Manual to switch tones
T2	Continuous	Manual to switch tones
T3	Continuous	Manual to switch tones



! Only the buttons highlighted in red (above) are siren functions.

SETTING SIREN BUTTONS TO MOMENTARY

- 1) With the system powered off, press and hold the desired button you wish to program as momentary.
- 2) Continue holding the selected button while holding down the "On" button until a beep is heard.
- 3) The button is now set as momentary. To reverse the function, repeat these steps.



PARK-KILL

Park-Kill is used to deactivate any activated standard siren tone. Park-Kill does not deactivate audio recordings. The Park-Kill wire can be connected to your vehicle's overhead light, door trigger, or park-signal so that the siren is disabled when the door is opened or the vehicle is shifted to park.

RADIO REBROADCAST & MICROPHONE

When either Radio Rebroadcast or the Microphone is activated, any activated tone, standard siren tone or audio recording gets deactivated.

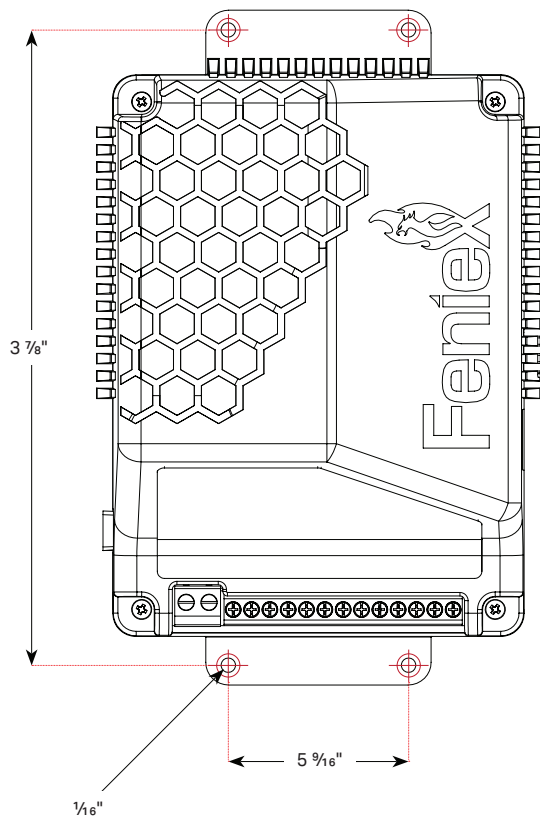
MICROPHONE VOLUME

To adjust the microphone volume, locate the mic volume dial (see diagram) on the side or top of the controller. Use a small phillips-head screwdriver to adjust the volume.

MOUNTING INSTRUCTIONS

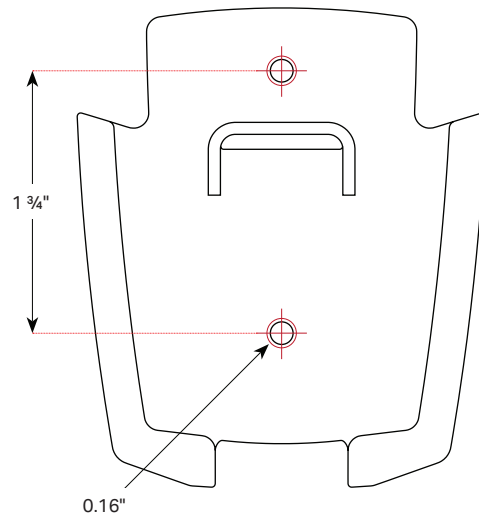
TYPHOON AMPLIFIER MOUNTING

- 1) Place the unit against the intended mounting surface.
- 2) Mark the areas where the mounting holes will be drilled. If the mounting surface is part of the vehicle, make sure no vital components could be damaged by the drilling process.
- 3) Pre-drill four 1/16" mounting holes on the mounting surface, making sure no vital components of the surface are damaged.
- 4) Make sure to deburr the holes thoroughly.



TYPHOON HANDHELD MOUNTING

- 1) Place the Handheld nest against the intended mounting surface.
- 2) Mark the areas where the mounting holes will be drilled. If the mounting surface is part of the vehicle, make sure no vital components could be damaged by the drilling process.
- 3) Drill two 0.16" mounting holes on the mounting surface, making sure no vital components of the surface are damaged.
- 4) Using customer provided screws, secure the Typhoon Siren to the mounting surface.

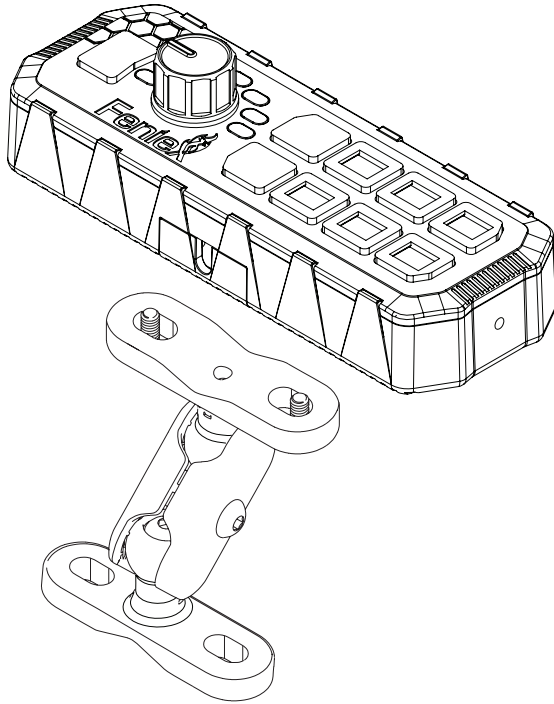


- 5) Place the Typhoon Handheld Controller into the clip to hold the unit when not in use.

MOUNTING INSTRUCTIONS

MOUNTING SWIVEL BRACKET

- 1) Secure the Swivel Ball to the base of the controller using the #10-32 screw.
- 2) Attach the swivel ball to the swivel bracket base using the provided screw.
- 3) Using the provided screw, secure the two clamps loosely together.



- 4) Place the clamps and screw around the 2 swivel balls. Tighten the clamp screw, thereby attaching the swivel bracket base to the full function controller.
- 5) Secure the Swivel Bracket to the rear of the controller (as shown in the diagram).
- 6) Place the unit against the intended mounting surface.
- 7) Mark the areas where the mounting holes will be drilled. If the mounting surface is part of the vehicle, make sure no vital components could be damaged by the drilling process.
- 8) Drill two mounting holes on the mounting surface, making sure no vital components of the surface are damaged.
- 9) Using customer provided screws, secure the Full Function controller to the mounting surface.

MOUNTING L-BRACKET

- 1) Utilizing the provided screws, secure the L-Brackets to each sides of the controller using a Phillips head screwdriver at a torque setting of 1 in*lb.
- 2) Place the unit against the intended mounting surface and mark the areas where the mounting holes will be drilled. If the mounting surface is part of the vehicle, make sure no vital components could be damaged by the drilling process.

