



PART NUMBER: FN-0216

KEY FEATURES:

- 180° or 40° light spread optic available
- Single color: 11 flash patterns
- Dual color: 40 flash patterns
- Available Colors: R, B, A, W, G, RW, BW, AW, AR, AB, RB
- 2 programmable modes
- Bracket options: Rotating, Headliner, Single L-Bracket, Double L-Bracket, End-Cap Mount
- Encased in rugged, aluminum extrusion

QUICK FACTS:

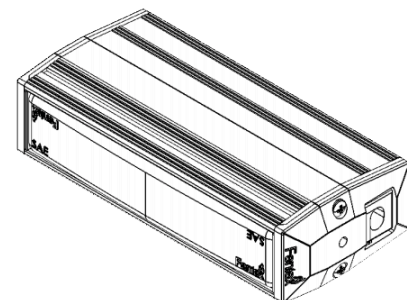
- Made in the USA
- Certifications: SAE J595, CT13, SAE J1119
- Available in single color or dual color
- Syncs with:
 - Fusion Surface Mount
 - Fusion 100
 - Fusion Mirror & Spoiler Mount
 - Fusion 1X and 2X
 - Cannon, T3, and Wide-Lux

SPECIFICATIONS:

| | |
|----------------------|----------------------------|
| Dimensions | 1.22" H x 9.5" L x 2.25" W |
| Warranty | 5 years |
| Cable Harness Length | 10 feet |

| | |
|--------------|---------------------------------|
| Voltage | 12VDC |
| Current Draw | 1.5A (fuse @125%) |
| Single Color | 12 high power 4 Watt Cree LED's |
| Dual Color | 24 high power 4 Watt Cree LED's |

WIRING DIAGRAM:



| Wire Color: | Function: |
|-------------|----------------|
| Black | 12V (-) |
| Red | 12V (+) Mode 1 |
| White 12V+ | Mode 2 |
| Green 12V- | Pattern/Sync |