



TITAN



S-5018

INSTRUCTION MANUAL



Fenix Product Copyrights This price List and the mentioned Fenix products include or describe copyrighted Fenix material. Laws in the United States and other countries preserve for Fenix Industries and its licensors certain exclusive rights for copyrighted material, including the exclusive right to copy, reproduce in any form, distribute and make derivative works of the copyrighted material. Accordingly, any copyrighted material of Fenix and its licensors contained herein or in the Fenix products described in this Price List may not be copied, reproduced, distributed, merged or modified, transmitted, transcribed, stored in retrieval system or translated into any language or computer language, in any form or by any means, without prior written permission of Fenix Industries, Inc.. Fenix and the stylized Fenix logo are registered in the U.S. Patent & Trademark Office.



Safety Regulations & Warranty	3
Service after Expiration	3
Copyright	3
Feniex Product Copyright	3
Specifications, Tones, & Wiring	4
Box Content	4
Dimensions	4
Pipe Mount	4
Magnet Mount	4
Mount Kit Part Numbers	4
Specifications, Patterns, & Wiring	5
System Specifications	5
Flash Patterns	5
Wiring Diagram	5
Power	5
Synchronization	5
Pattern Selection	5
Mounting Instructions	5
Permanent Mount	5
Pipe Mount	5
Magnet Mount	5

SAFETY REGULATIONS & WARRANTY



SAFETY REGULATIONS

The following provides all the information necessary to safely operate the previously listed products of Feniex Industries, Inc. Please read this manual thoroughly before installing or operating your new product in order to prevent any damage or injury. Failure to follow the listed instructions in this manual may result in damage to your products or personal injury.

- Proper installation of this product requires good knowledge of automotive systems, electronics & procedures.
- Please guarantee all vital components of the vehicle are not in danger of being damaged by drilling holes necessary for installation. Check all sides of the mounting surface before drilling any holes into the vehicle.
- Do not install this product in any way that interferes with the deployment of the air bag. Doing so may damage the effectiveness of the air bag & can lead to serious personal and vehicle injury. The installer will assume full responsibility of proper installation of the new unit.
- Please clean the mounting surface before installation of the unit when using tape, brackets, magnet, Velcro or suction cups.
- The product's ground wire must be connected directly to the negative (-) battery post for effective use of the unit. Please follow all wiring guidelines provided to guarantee long lifespan & productivity. Failing to follow these instructions may result in damage to the product.

WARRANTY

Feniex Industries, Inc. warrants to the original purchaser that the product shall be free from defects in material & workmanship for 5 years from the date of purchase for all LED products. Feniex Industries warranties speakers, sirens, flashers, & controllers for 2 years.

If warranty service is needed, please contact customer support:

Phone: 1.800.615.8350

Web Site: www.Feniex.com/support

Email: techsupport@feniex.com

If the product needs to be returned for repair or replacement, contact our customer service team (using any method listed above) to receive a Return Merchandise Authorization (RMA) number. Operational times are from 9 a.m. to 6 p.m. central time, Monday through Friday.

 Please do not send in product without contacting support first for a Return Merchandise Authorization (RMA) number.

CONDITIONS

Feniex Industries, Inc. will not be held responsible for any costs associated with equipment removal and/or re-installation resulting from a warranty claim. It is the sole responsibility of the party initiating a warranty claim to pay shipping charges associated with returning a product to Feniex Industries for repair or replacement.

SERVICE AFTER EXPIRATION

Feniex Industries will still provide service for all products after expiration of the warranty. For any issues, call the customer support line. In some instances it may be necessary for the product to be shipped, freight prepaid and insured for loss or damage to Feniex headquarters.

 Utilizing non-factory screws and mounting brackets may result in the loss of warranty coverage.

COPYRIGHT

This instruction manual and the Feniex products described in this instruction manual may include or describe copyrighted Feniex material. Laws in the United States and other countries preserve for Feniex Industries and its licensors certain exclusive rights for copyrighted material, including the exclusive right to copy, reproduce in any form, distribute and make derivative works of the copyrighted material. Accordingly, any copyrighted material of Feniex and its licensors contained herein or in the Feniex products described in this instruction manual may not be copied, reproduced, distributed, merged or modified in any manner without the express written permission of Feniex Industries, Inc.

FENIEX PRODUCT COPYRIGHTS

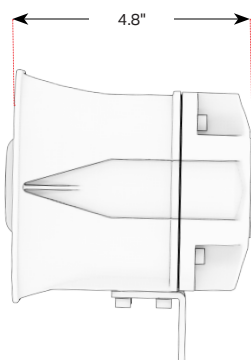
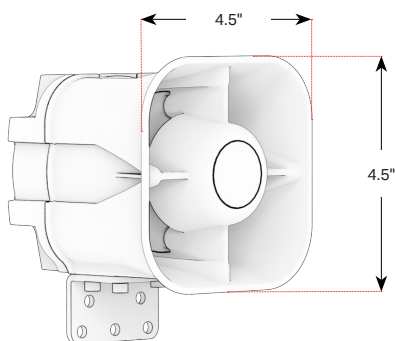
The products described in this document are the property of Feniex Industries, Inc. It is furnished by express license agreement only and may be used only in accordance with the terms of such an agreement. Products and documentation are copyrighted materials. Making unauthorized copies is prohibited by law. No part of the product or documentation may be reproduced, transmitted, transcribed, stored in retrieval system or translated into any language or computer language, in any form or by any means, without prior permission from Feniex Industries, Inc.

BOX CONTENTS, DIMENSIONS, & MOUNTING OPTIONS

BOX CONTENTS	QUANTITY
1. Titan 30w Siren/Speaker	1
2. Universal Mounting Bracket	1



DIMENSIONS



SYSTEM SPECIFICATIONS	
Input Power	12 VDC
Current Draw	3 Amps
External Fuse (if hard wired)	125% of Circuit Load
Power Output	30 Watts
Siren Tones	21
Dimensions	4.5" D x 4.5" H x 4.8" D

WIRING DIAGRAM

COLOR	FUNCTION	POLARITY	CONNECTION
■ Black	Ground	12v (-)	Chassis Ground
■ Red	Battery	12v (+)	Positive Battery Terminal
■ Yellow	Mode 1	12v (+)	Latching Switch
■ Brown	Mode 2	12v (+)	Latching Switch
■ White	Park-Kill	12v (+)	Momentary Signal
■ Green	Microphone Input	N/A	Optional Microphone
■ Gray	Microphone Input	N/A	
■ Blue	Tone Select	12v (+)	Latching Switch

POWER

1) Extend the red wire to a 12v (+) post. Extend the black wire to a 12v (-) chassis ground.

⚠ The Titan is loud & can be harmful to your hearing. Use hearing protection while testing the product.

tone Selection

1) Momentarily tap the Tone Selection wire (blue) to a 12v (+) positive terminal to change the tone.

WIRING DIAGRAM

1) Wail	13) Ecto Siren
2) Yelp	14) Bad Boys
3) Fast Yelp	15) Move Out of the Way
4) Phaser	16) Pull Over
5) Mechanical	17) Step Out of the Vehicle
6) Manual Wail	18) Step Out w/Hands Up
7) Hi/Lo	19) Remain in your Vehicle
8) P-Call [Slow]	20) Remain... Windows Down
9) P-Call [Fast]	21) Test Tone
10) Horn & Phaser	22) Italian Police
11) Horn & Yelp	23) Italian Ambulance
12) Phaser & Yelp	