



4200®

INTELLIGENT DESIGN



C-4010

INSTRUCTION MANUAL



Fenix Product Copyrights This price List and the mentioned Fenix products include or describe copyrighted Fenix material. Laws in the United States and other countries preserve for Fenix Industries and its licensors certain exclusive rights for copyrighted material, including the exclusive right to copy, reproduce in any form, distribute and make derivative works of the copyrighted material. Accordingly, any copyrighted material of Fenix and its licensors contained herein or in the Fenix products described in this Price List may not be copied, reproduced, distributed, merged or modified, transmitted, transcribed, stored in retrieval system or translated into any language or computer language, in any form or by any means, without prior written permission of Fenix Industries, Inc.. Fenix and the stylized Fenix logo are registered in the U.S. Patent & Trademark Office.



Safety Regulations & Warranty	3
Service after Expiration	3
Copyright	3
Feniex Product Copyright	3
Box Contents, Specifications, & Wiring Diagram	4
Box Contents	4
Wig-Wag Flash Patterns	4
System Specifications	4
Dimensions	4
Power & Configuration	5
Power	5
Auto Power On	5
Wiring Diagram	5
Latching or Momentary Buttons	5
Alternating Wig-Wag Flasher	5
Wig-Wag Functions	5
Mounting Instructions	6
Swivel Mount Installation	6
L-Bracket Installation	6
Button Legend Sheet	7

SAFETY REGULATIONS & WARRANTY



SAFETY REGULATIONS

The following provides all the information necessary to safely operate the previously listed products of Feniex Industries, Inc. Please read this manual thoroughly before installing or operating your new product in order to prevent any damage or injury. Failure to follow the listed instructions in this manual may result in damage to your products or personal injury.

- Proper installation of this product requires good knowledge of automotive systems, electronics & procedures.
- Please guarantee all vital components of the vehicle are not in danger of being damaged by drilling holes necessary for installation. Check all sides of the mounting surface before drilling any holes into the vehicle.
- Do not install this product in any way that interferes with the deployment of the air bag. Doing so may damage the effectiveness of the air bag & can lead to serious personal and vehicle injury. The installer will assume full responsibility of proper installation of the new unit.
- Please clean the mounting surface before installation of the unit when using tape, brackets, magnet, Velcro or suction cups.
- The product's ground wire must be connected directly to the negative (-) battery post for effective use of the unit. Please follow all wiring guidelines provided to guarantee long lifespan & productivity. Failing to follow these instructions may result in damage to the product.

WARRANTY

Feniex Industries, Inc. warrants to the original purchaser that the product shall be free from defects in material & workmanship for 5 years from the date of purchase for all LED products. Feniex Industries warranties speakers, sirens, flashers, & controllers for 2 years.

If warranty service is needed, please contact customer support:

Phone: 1.800.615.8350

Web Site: www.Feniex.com/support

Email: techsupport@feniex.com

If the product needs to be returned for repair or replacement, contact our customer service team (using any method listed above) to receive a Return Merchandise Authorization (RMA) number. Operational times are from 9 a.m. to 6 p.m. central time, Monday through Friday.

 Please do not send in product without contacting support first for a Return Merchandise Authorization (RMA) number.

CONDITIONS

Feniex Industries, Inc. will not be held responsible for any costs associated with equipment removal and/or re-installation resulting from a warranty claim. It is the sole responsibility of the party initiating a warranty claim to pay shipping charges associated with returning a product to Feniex Industries for repair or replacement.

SERVICE AFTER EXPIRATION

Feniex Industries will still provide service for all products after expiration of the warranty. For any issues, call the customer support line. In some instances it may be necessary for the product to be shipped, freight prepaid and insured for loss or damage to Feniex headquarters.

 Utilizing non-factory screws and mounting brackets may result in the loss of warranty coverage.

COPYRIGHT

This instruction manual and the Feniex products described in this instruction manual may include or describe copyrighted Feniex material. Laws in the United States and other countries preserve for Feniex Industries and its licensors certain exclusive rights for copyrighted material, including the exclusive right to copy, reproduce in any form, distribute and make derivative works of the copyrighted material. Accordingly, any copyrighted material of Feniex and its licensors contained herein or in the Feniex products described in this instruction manual may not be copied, reproduced, distributed, merged or modified in any manner without the express written permission of Feniex Industries, Inc.

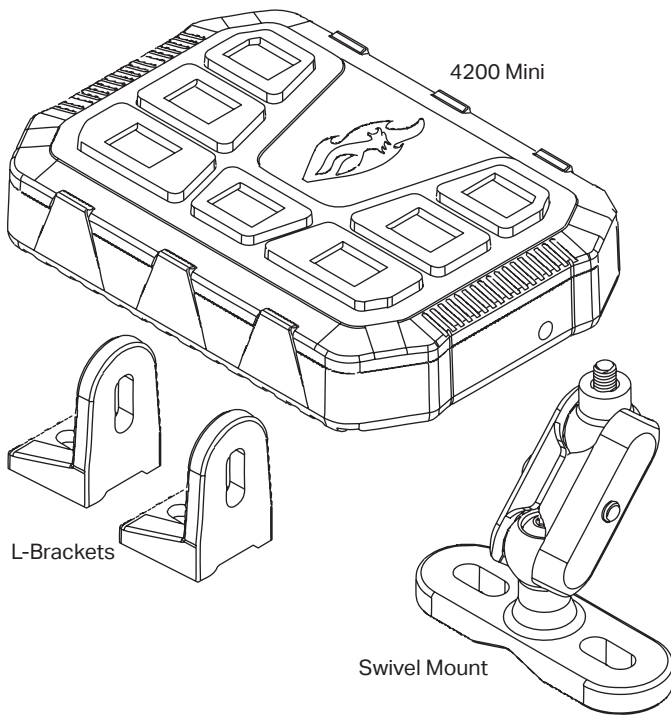
FENIEX PRODUCT COPYRIGHTS

The products described in this document are the property of Feniex Industries, Inc. It is furnished by express license agreement only and may be used only in accordance with the terms of such an agreement. Products and documentation are copyrighted materials. Making unauthorized copies is prohibited by law. No part of the product or documentation may be reproduced, transmitted, transcribed, stored in retrieval system or translated into any language or computer language, in any form or by any means, without prior permission from Feniex Industries, Inc.

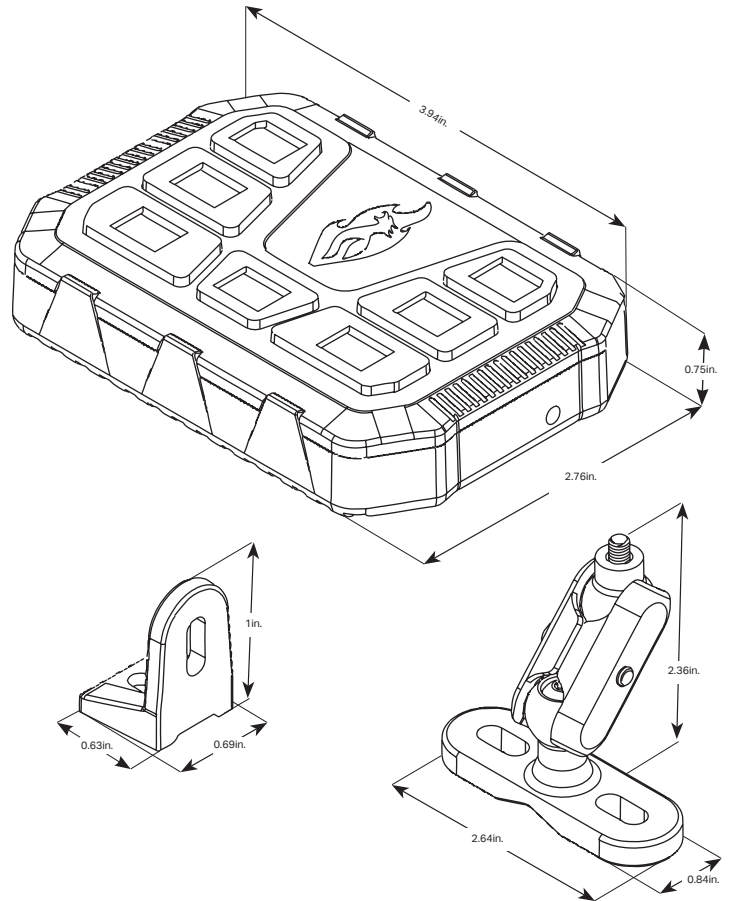
BOX CONTENTS, SPECIFICATIONS, DIMENSIONS, & PATTERNS

COMPONENT	QUANTITY
1. T3	1
2. Swivel Mount	1
3. L-Bracket Mounts	2
4. Bolts	2

BOX CONTENTS



DIMENSIONS



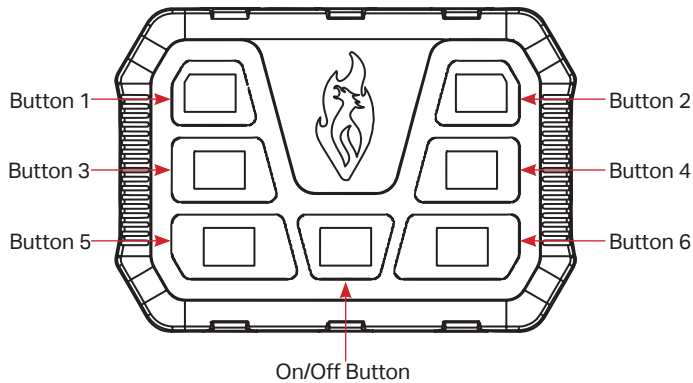
SYSTEM SPECIFICATIONS

Input Power	12 VDC
Current Draw	Up to 21 Amps
Maximum Output	3.5 Amps Per Channel
Standby Power	10mA
External Fuse	125% of Circuit Load
Mounts	Swivel Mount or L-Brackets
Flash Patterns	11
IP Rating	IP67
Relays	Solid State, Built-in
Switch Type	Latching and/or Momentary
Buttons	Rubberized, Backlit
Button Legends	130 (126 + 4 Blanks)
Dimensions	4.9" H x 2.7" L x 0.7" W
Warranty	2 Years

WIG-WAG FLASH PATTERNS

Single Flash [Slow]	Quad Flash [Slow]
Single Flash [Fast]	Quad Flash [Fast]
Single Flash [Combo]	Quad Flash [Combo]
Triple Flash [Slow]	Combination #1
Triple Flash [Fast]	Combination #2
Triple Flash [Combo]	

WIRING DIAGRAM



COLOR	FUNCTION	POLARITY	CONNECTION
■ Red	Battery	12v (+)	Positive Terminal
■ Black	Ground	12v (-)	Negative Terminal
■ Green	Button #1	12v (+)	Output #1
□ White	Button #2	12v (+)	Output #2
■ Blue	Button #3	12v (+)	Output #3
■ Yellow	Button #4	12v (+)	Output #4
■ Brown	Button #5	12v (+)	Output #5
■ Gray	Button #6	12v (+)	Output #6

POWER-UP FUNCTIONALITY

Auto Power-Up: Keypad activates upon starting vehicle

Manual Power-Up: Keypad remains off until manually activated using power button.

- 1) Press the "On/Off" button to turn the system off.
- 2) Press and hold the power button for 3 seconds. A beep will sound when programmed.
- 3) You have now Toggled the "Auto-On" function. To reverse the functionality, repeat the steps above.

LATCHING OR MOMENTARY BUTTONS

You can program each of the 6 outputs to operate as either latching or momentary functionality.

To toggle this mode:

- 1) While the unit is powered, but turned off, press and hold the button you wish to program.
- 2) While holding the button from step 1, press and hold the power button until a beep is heard.
- 3) The mode has been toggled. To change it again, repeat steps 1 & 2.

ALTERNATING WIG-WAG FLASHER

You can program outputs 1 & 2 to operate as an alternating wig-wag flasher.

To toggle this mode:

- 1) While the unit is powered, but turned off, press and hold both button #1 and button #2.
- 2) While holding the buttons from step 1, press and hold the power button until a beep is heard.
- 3) The mode has been toggled. To change it again, repeat steps 1 & 2.

WIG-WAG FUNCTIONS

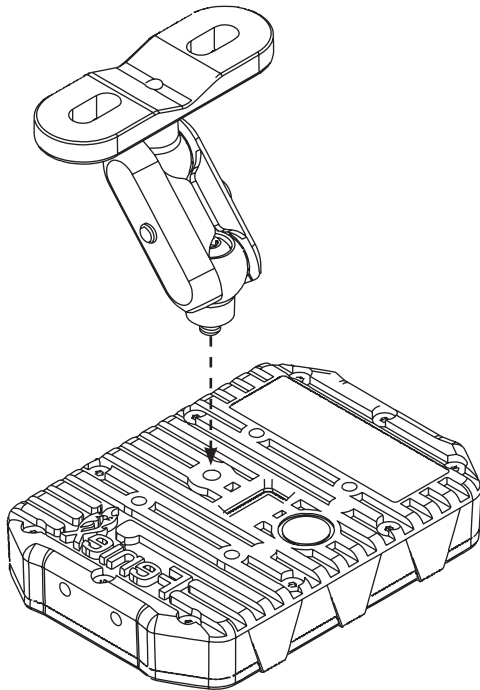
When the wig-wag function is active, button #1 activates and deactivates the mode while button #2 changes the selected flash patterns. Respectively, output #1 and output #2 are channels 1 & 2 of the flasher.

Wig-wag mode will override the latching or momentary functionality while it is active in the programming.

There are multiple flash patterns available including slower patterns for use with headlight systems and faster, strobing patterns for use with LED lighting. Buttons 1 & 2 will simulate the pattern being displayed to outputs 1 & 2.

SWIVEL MOUNT INSTALLATION

- 1) Secure the Swivel Ball to the base of the controller using the #10 screw.
- 2) Attach the swivel ball to the swivel bracket base using the #10 screw.
- 3) Using the #10 screw, secure the two clamps loosely together.
- 4) Place the clamps and screw around the 2 swivel balls. Tighten the clamp screw, thereby attaching the swivel bracket base to the mini controller.
- 5) Secure the Swivel Bracket to the rear of the controller (as shown in the diagram).

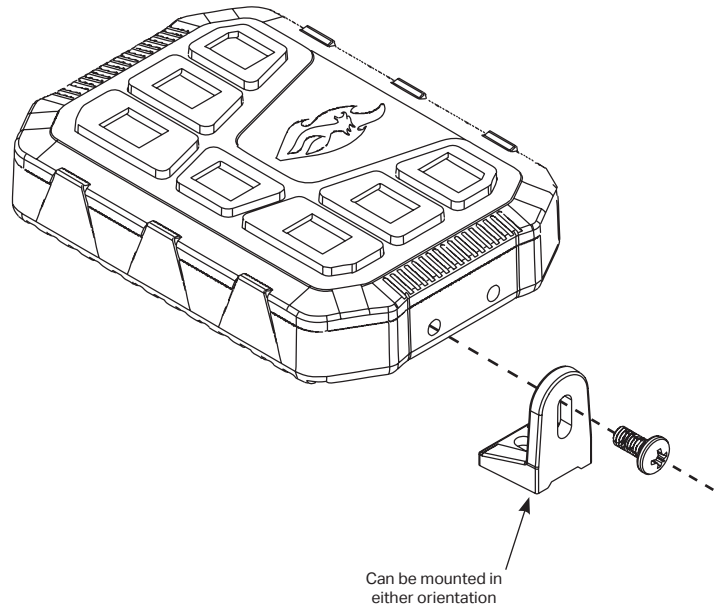


- 6) Place the unit against the intended mounting surface.
- 7) Mark the areas where the mounting holes will be drilled. If the mounting surface is part of the vehicle, make sure no vital components could be damaged by the drilling process.
- 8) Drill two mounting holes on the mounting surface, making sure no vital components of the surface are damaged.
- 9) Using customer supplied screws, secure the 4200 Mini to the mounting surface.

L-BRACKET INSTALLATION

Note: The provided L-brackets can be mounted either way, L-inward or L-outward. The instructions reflect the default mounting method: L-outward.

- 1) Utilizing the provided screws, secure the L-Bracket to the side of the controller using a Phillips head screwdriver.



- 2) Repeat Step 1 on the opposite side of the controller so both sides have the L-Bracket securely connected.
- 3) Place the unit against the intended mounting surface.
- 4) Mark the areas where the mounting holes will be drilled. If the mounting surface is part of the vehicle, make sure no vital components could be damaged by the drilling process.
- 5) Drill two mounting holes on the mounting surface, making sure no vital components of the surface are damaged.
- 6) Using customer supplied screws, secure the 4200 Mini to the mounting surface.

BUTTON LEGENDS



Black Out	Hide-A Way	Gun Lock	Clear	Power	Slow	Cab	Aux 4	Low Power	Siren	Manual	Plow Light	←
Bumper	Door	Gun	Step	Kill	Fast	Trunk	Aux 5	LBAR Power	Q-Siren	Air Horn	Work Light	↔
Invert	Grill	Lock	Wig Wag	Dim	Traffic	Tow	Aux 6	LBAR Front	Wail	Mech	Map Light	→
Charg	Deck	Rapid Flash	Hazard	On/Off	Brake	Alarm	Code 1	LBAR Rear	Wal 2	Hands Free	Search	Flash
Stand By	Dash	Flash Mode	Video	Amber	Back Up	Radio	Code 2	Alley Left	Yelp	Phaser	Dome	Warn
Strobe	Front	Pattern	Camera	White	K9	Pursuit	Code 3	Alley Right	Yelp 2	Sting	Flood	Left
Preemp	Rear	Mode	Comp	Green	Side Cut	Warn	Mode 1	Front Cut	Hi-Lo	Tap 1	Front Flood	Right
Left	Side	Upper	PC	Red	License Plate	Aux 1	Mode 2	Rear Cut	Horn	Tap 2	Rear Flood	Center
Right	Fog	Lower	Radar	Blue	LED	Aux 2	Mode 3	Right Cut	Horn 1	Spot	[BLANK]	[BLANK]
Center	Cruise	Tail	Main	Reset	Area	Aux 3	Take Down	Left Cut	Horn 2	Spot Light	[BLANK]	[BLANK]