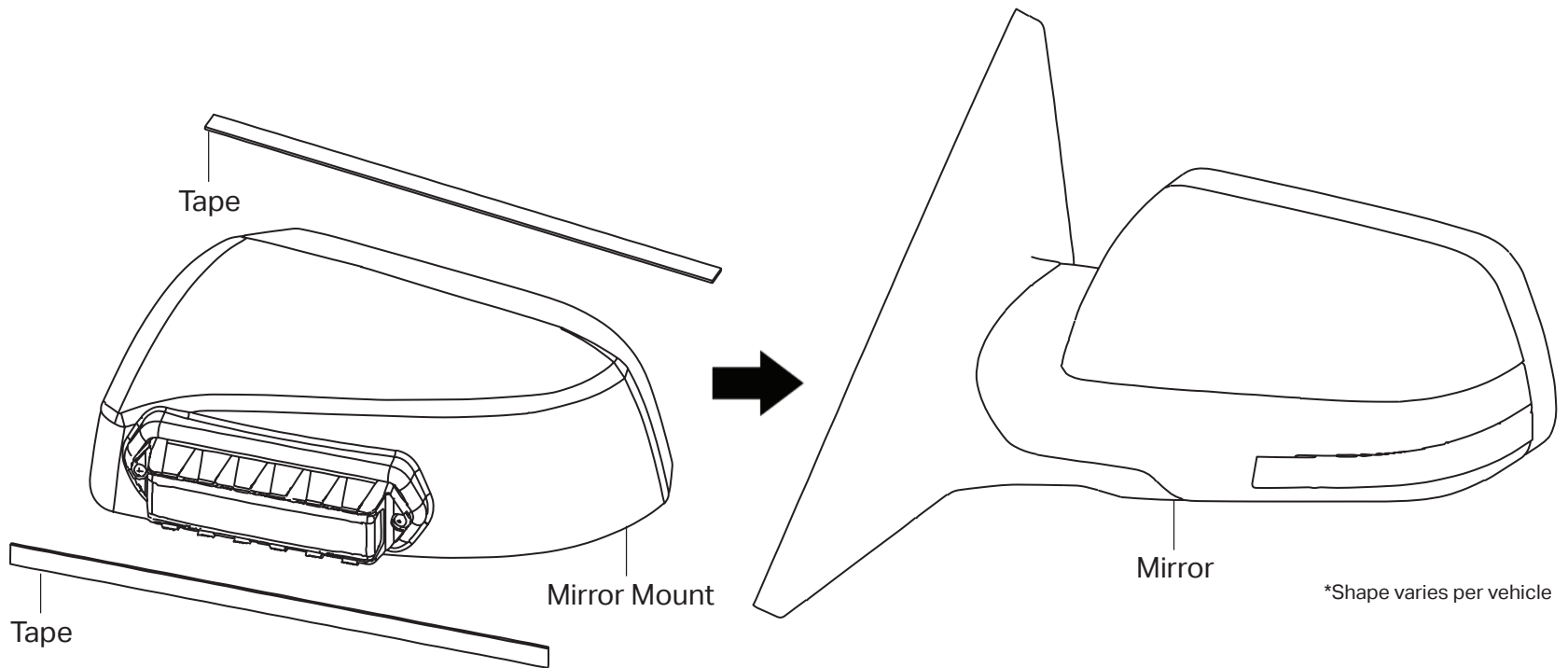


## INSTALLATION AND OPERATIONAL GUIDE

This manual serves as a guide for the Fusion Mirror Mount.



### Cleaning Instructions:

1. To obtain optimum adhesion, use a non-amonia based de-greaser to clean the surface you will adhere the mount to.
2. Place tape inside the surface mount and press onto back of mirror with 15 psi's of pressure. Full adhesion is reached after 72 hours.

Refer to 3M Surface preparation document for detailed instructions.

Surface Prep:  
<http://multimedia.3m.com/mws/media/660190/vhbtm-tape-surface-preparation-technical-bulletin.pdf?&fn=87015.pdf>

Tape Product Description:  
<https://multimedia.3m.com/mws/media/671000/3mtm-vhb-tapes.pdf>

### Car Type:

- Chevy Tahoe
- Dodge Charger
- Ford Explorer
- Ford Taurus

### Passenger Mount Color:

- A     R     B     W     G
- RW    BW    AW    RB    AR    AB

### Driver Mount Color:

- A     R     B     W     G
- RW    BW    AW    RB    AR    AB

### Wiring Instructions:

1. To activate the unit, extend the red (+) or yellow (+) wire to a 12V post. Extend the black (-) wire to the ground post of the vehicle's battery. Please note that mode 2 overrides mode 1.
2. Momentarily connect the blue wire to the Ground (12V-) to cycle through the flash patterns.
3. Synchronization: To sync two or more light heads together:
  - A. Apply 12V+ power to the red or yellow (+) wire and apply 12V- to black wire to power the unit on.
  - B. Cycle through all patterns by tapping the blue (flash pattern changer) wire to the activated black, ground wire until the steady burn pattern is selected.
  - C. Connect one of the same colored mode wires (red or yellow) of the two light heads together; connect the black wires of the light heads together and then connect the blue wires of the light heads together.

### Alternate Light Heads:

- D. Follow steps A-B.
- E. For the light heads to alternate, one light head must be set as master and the other as slave on the mode wire intended for use. To do so, hold the blue (flash pattern changer) wire to ground for 3 seconds.

For Single color: if all LEDs turn on, this indicates master mode. If no LEDs turn on, this indicates slave mode.  
 For Dual color: if all LEDs turn on, this indicates master mode. If half of the LEDs turn on, this indicates slave mode.

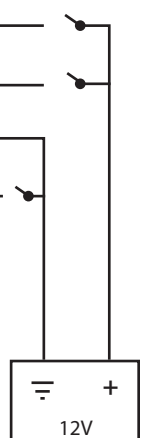
- F. Follow step C. Change patterns by tapping the blue wire to the activated black ground wire.

### Wire:

- Red:
- Yellow:
- Black:
- Blue:

### Function:

- Mode 1
- Mode 2
- Ground
- Pattern Changer/Sync



## FLASH PATTERNS

This manual serves as a guide for the Fusion Mirror Mount.

### Single color patterns

Single Slow
Single Fast
Single Combo
Double Slow
Double Fast
Double Combo
Triple Slow
Triple Fast
Triple Combo
Brake Pop
Steady On

### Dual color patterns

Color 1- Single Slow
Color 1- Single Fast
Color 1- Single Combo
Color 1- Double Slow
Color 1- Double Fast
Color 1- Double Combo
Color 1- Triple Slow
Color 1- Triple Fast
Color 1- Triple Combo
Color 2- Single Slow
Color 2- Single Fast
Color 2- Single Combo
Color 2- Double Slow
Color 2- Double Fast
Color 2- Double Combo
Color 2- Triple Slow
Color 2- Triple Fast
Color 2- Triple Combo
Color 1&2 / No Off Time- Single Slow
Color 1&2 / No Off Time- Single Fast
Color 1&2 / No Off Time- Single Combo
Color 1&2 / No Off Time- Double Slow
Color 1&2 / No Off Time- Double Fast
Color 1&2 / No Off Time- Double Combo
Color 1&2 / No Off Time- Triple Slow
Color 1&2 / No Off Time- Triple Fast
Color 1&2 / No Off Time- Triple Combo
Color 1&2 /Off Time- Single Slow

Color 1&2 /Off Time- Single Fast
Color 1&2 /Off Time- Single Combo
Color 1&2 /Off Time- Double Slow
Color 1&2 /Off Time- Double Fast
Color 1&2 /Off Time- Double Combo
Color 1&2 /Off Time- Triple Slow
Color 1&2 /Off Time- Triple Fast
Color 1&2 /Off Time- Triple Combo
Color 1- Brake Pop
Color 2- Brake Pop
Color 1- Steady On
Color 2- Steady On